

# ACCESSORY SETUP INSTRUCTION

## SOUND INSULATION SYSTEM (SINGLE/DOUBLE ROW) -- PIN: 5HYR-803000-1K00&5SYB-803000-6A00

**VALID FOR:** 2023 CF1000UU-2


**BEFORE YOU BEGIN:** Read and understand the instructions before starting any work. Make sure that all parts are ready and that you have all the tools required for assembly.

**NOTE:** CFMOTO shall not be liable for any damage caused by incorrect assembly. CFMOTO recommends that all original accessories be assembled by an authorized CFMOTO dealer.

Before assembly, park the vehicle on a flat surface, put the transmission gear into Park (P) and turn off the key switch.

**Zhejiang CFMOTO Power Co., Ltd.** All rights reserved. Reproduction of this document, even in part, as well as copying of all kinds, is permitted only with the express written permission of the copyright owner.

## MEANING OF SYMBOLS

 - Indicates information with more details or tips.

 - Indicates information of warning or danger.

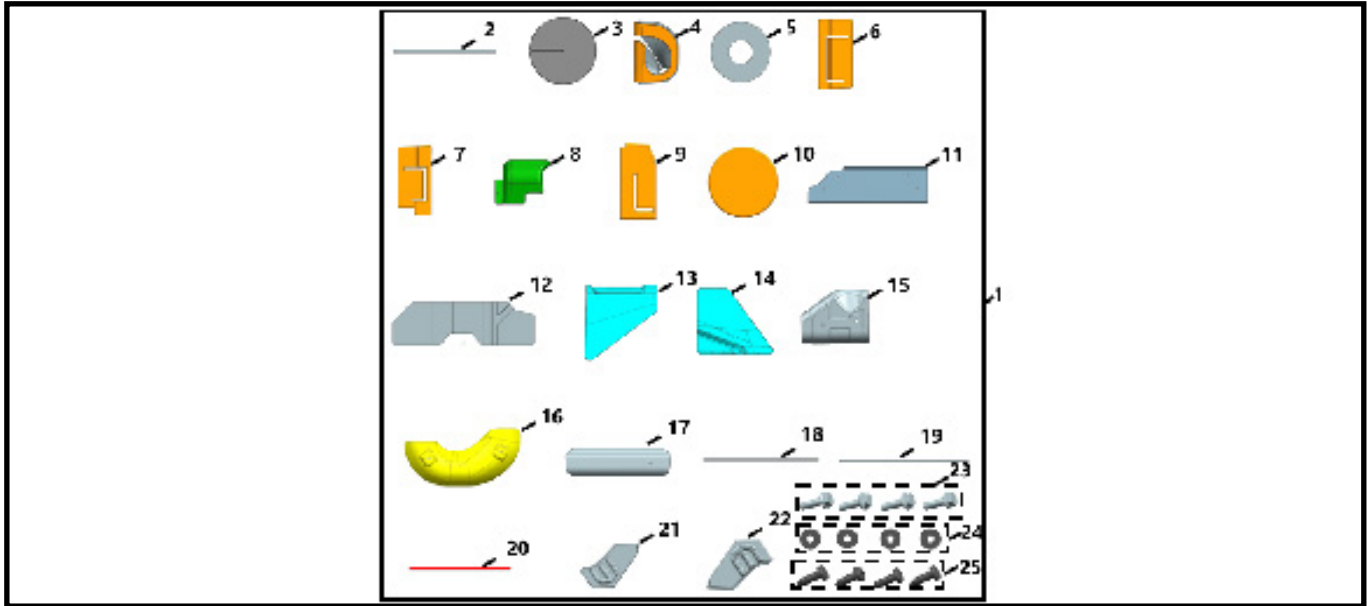
## PARTS LIST:

ITEM	PART NAME	PART NUMBER	QTY.	DISCRIPTION
1	SOUND INSULATION SYSTEM (U10 SINGLE/DOUBLE ROW)	5HYR-803000-1K00&5SYB-803000-6A00	1&1	
2	FRONT FENDER SPONGE	5HYR-043050-1K00	1&1	
3	CABLE PLUG	5HYR-043046-1K00	1&1	
4	TURN PLUG	5HYR-043045-1K00	1&1	
5	BRAKE PLUG	5HYR-043093-1K00	1&1	
6	DRIVER SIDE SAFETY BELT PLUG	5HYR-042092-1K00	1&1	
7	PASSENGER SIDE SAFETY BELT PLUG	5HYR-042091-1K00	1&1	
8	FRONT HEAT INSULATOR	5HYR-020002-1K00	1&1	
9	FENDER FRONT SERVICE COVER PLUG	5HYV-042090-1K00	1&1	
10	SEAT REAR FENDER PLUG	5HYV-042093-1K00	1&1	
11	FENDER FRONT SERVICE COVER INSULATOR	5HYV-042060-1K00	1&1	
12	SEAT FRONT SOUND ABSORBING CUSHION	5HYV-043069-1K00	1&1	
13	SEAT SIDE SOUND ABSORBING CUSHION 1	5HYV-043085-1K00	1&1	
14	SEAT SIDE SOUND ABSORBING CUSHION 2	5HYV-043086-1K00	1&1	
15	REAR PIPE HEAT INSULATOR	5HYV-021201-1K00	1&1	
16	MUFFLER PIPE HEAT INSULATOR	5HYV-021301-1K00	1&1	
17	REAR HEAT INSULATOR	5HYV-021202-1K00	1&1	
18	DRIVER SEAT RH LOWER BAFFLE TAPE	5HYV-043070-1K01	2&2	
19	MAIN SEAT MIDDLE LOWER FENDER TAPE	5HYV-043075-1K00	2&2	
20	CAB SIDE TAPE	5HYV-260217-1K00	3&5	
21	DRIVER SIDE REARVIEW MIRROR BRACKET PLUG	5HYV-041011-1K00	1&1	
22	PASSENGER SIDE REARVIEW MIRROR BRACKET PLUG	5HYV-041012-1K00	1&1	
23	BOLT	30006-060012810	4&4	
24	WASHER	30309-060900	4&4	
25	SELF-TAPPING SCREW	30110-480160010	4&4	

# ACCESSORY SETUP INSTRUCTION

**SOUND INSULATION SYSTEM (SINGLE/DOUBLE ROW) -- PIN: 5HYR-803000-1K00&5SYB-803000-6A00**

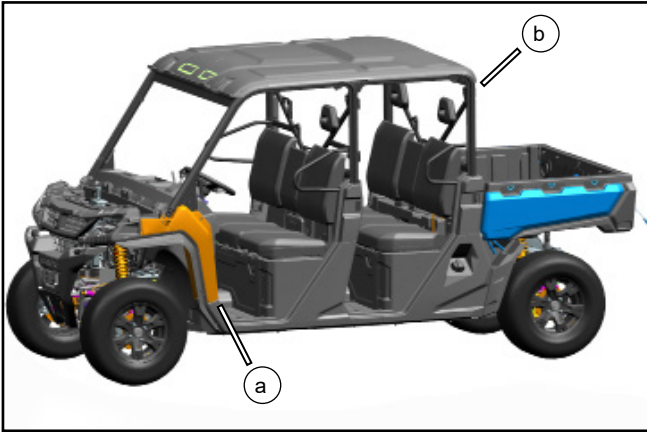
VALID FOR: 2023 CF1000UU-2



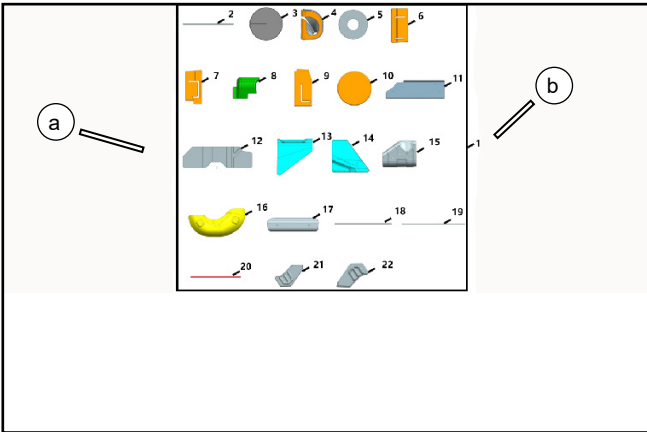
## TOOL LIST:

ITEM	PART NAME	PART NUMBER	QTY.	DESCRIPTION
1	SOCKET 10mm	/	1	Recommended tools, which are not included in the package.
2	SOCKET 13mm	/	1	
3	PHILIPS SCREWDRIVER	/	1	
4	INNER SIX HEXAGON s4	/	1	
5	PHILIPS SCREWDRIVER	/	1	
6	HAMMER	/	1	
7	PROTECTIVE GLOVES	/	1	

## ASSEMBLY and INSTALLATION

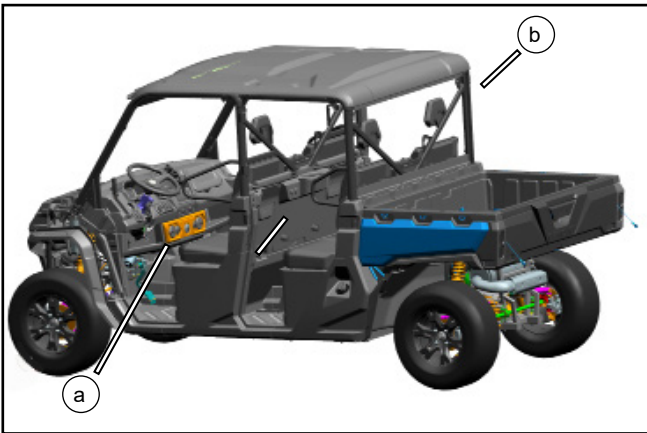


// Remove the deco cover of driver & passenger side (a) from the vehicle body (b).

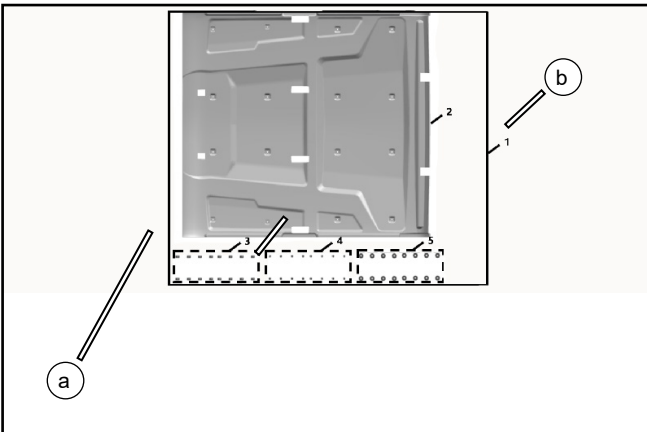


// Remove the steering wheel (a) from the vehicle body (b).

**i** - Remove the shell on the steering wheel, loosen the steering wheel nut to take out the steering wheel.



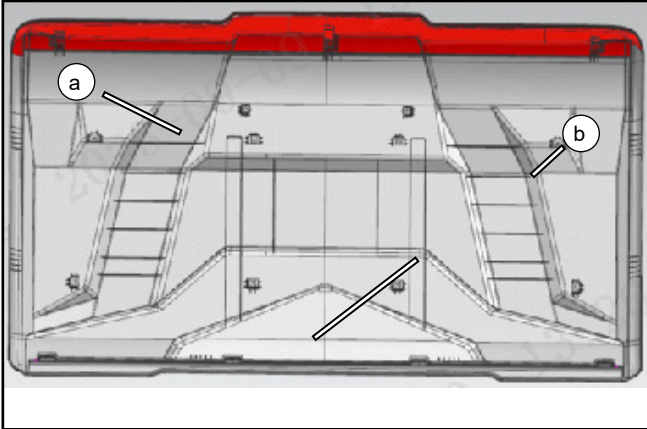
// Remove the dashboard outlet panel (a) from the vehicle body (b).



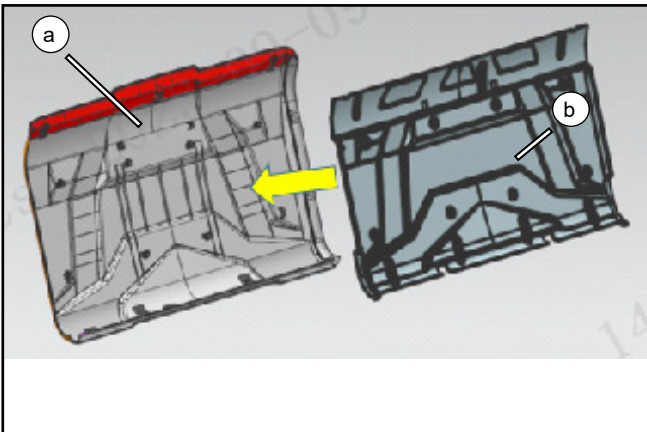
// Remove the dashboard lower panel (a) from the vehicle body (b). A total of 13 parts should be unscrewed.

**i** // Seven self-tapping ST4.2×13 screws, six hexagon flange M6×12 bolts.

## ASSEMBLY and INSTALLATION

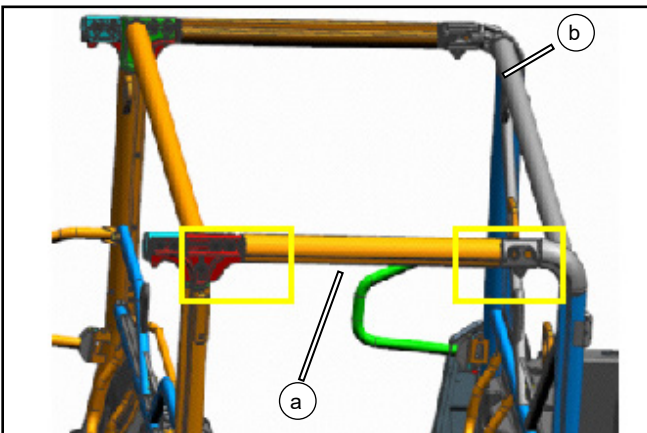


// Remove the gearshift ball head (a) from gearshift lever (b).

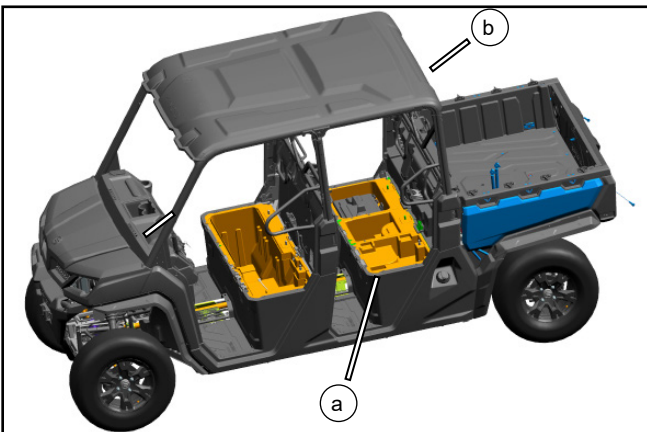


// Remove the dashboard upper body (a) from the vehicle body (b).

**i** - Before removing the dashboard upper body, the dashboard and switches need to be removed. The dashboard and switches are in a clamping structure. After pulling out the switches and dashboard, the connecting cables need to be pulled out.

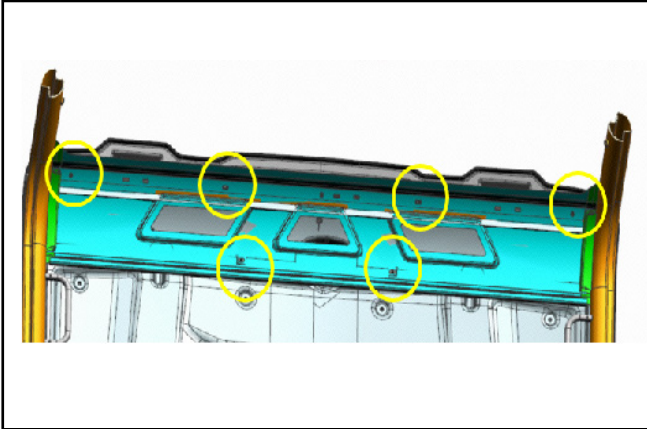


// Remove the seat (a) from the vehicle body (b).

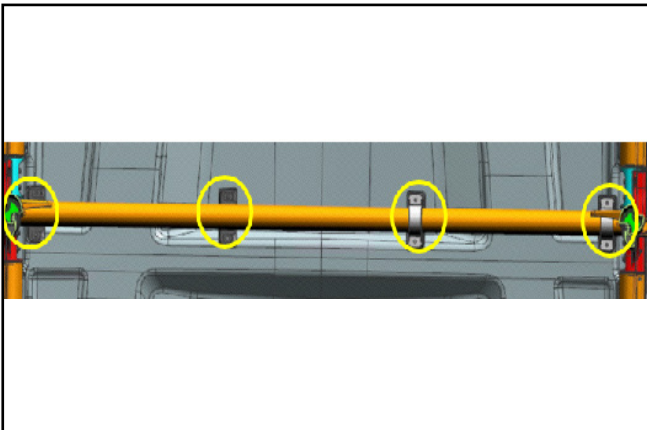


// Remove the plastic component (a) under the seat and ECU plug from the vehicle body (b).

## ASSEMBLY and INSTALLATION

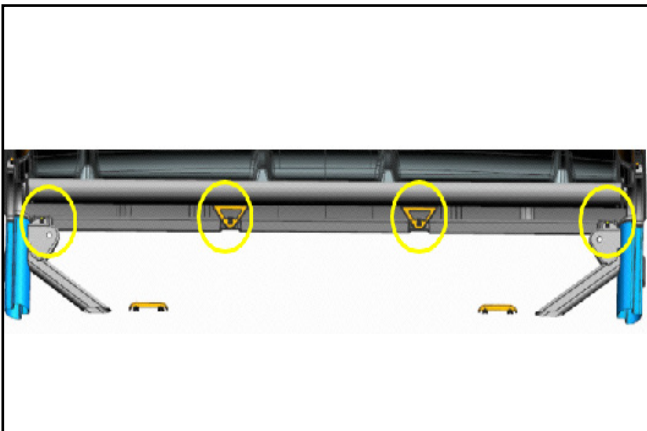


// Remove six black bolts M6x16 from the front of the plastic top roof.

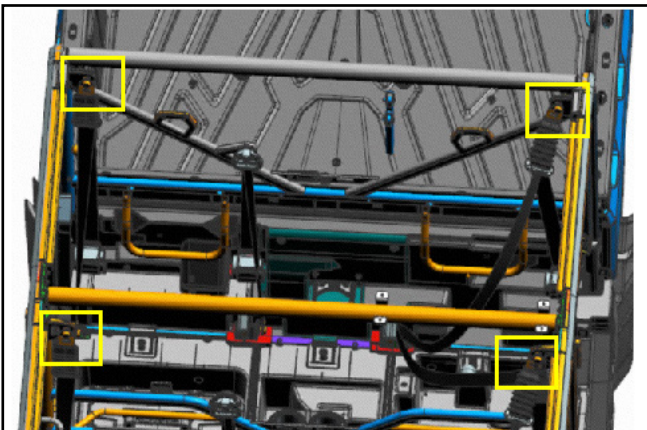


// Remove eight black bolts and four top roof clamps from the middle cab assy.

**i** - This step is not required for single-row top roof.



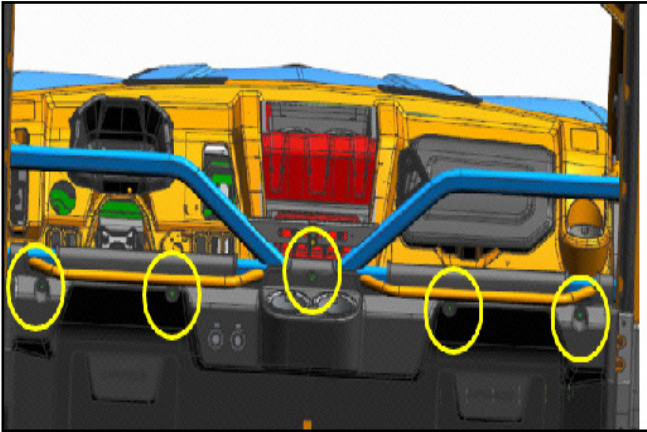
// Remove four black bolts from the rear of the top roof.



// Remove all the bolts from the upper of the seat belt, and then remove the seat belt.

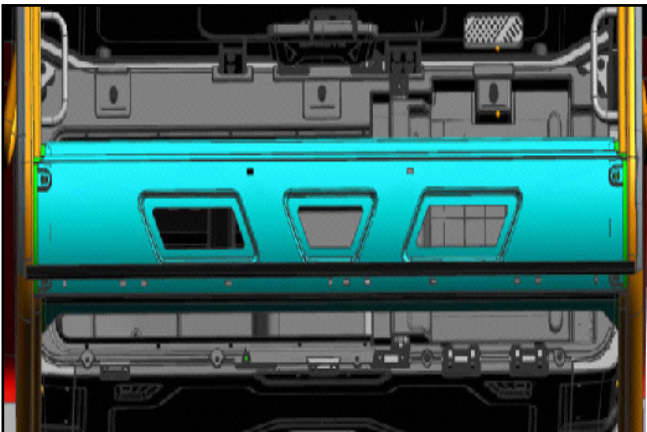


## ASSEMBLY and INSTALLATION



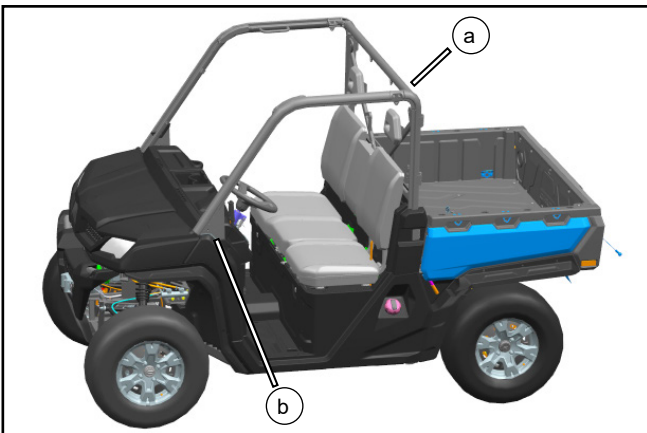
// Remove connecting bolts and plastic clips which secured the front and rear seat fender panel on the cab.

**i** - The single-row and double-row top roof share the same method to disassemble. Unscrew five connecting bolts for single row. Unscrew seven connecting bolts and two plastic clips for double row.



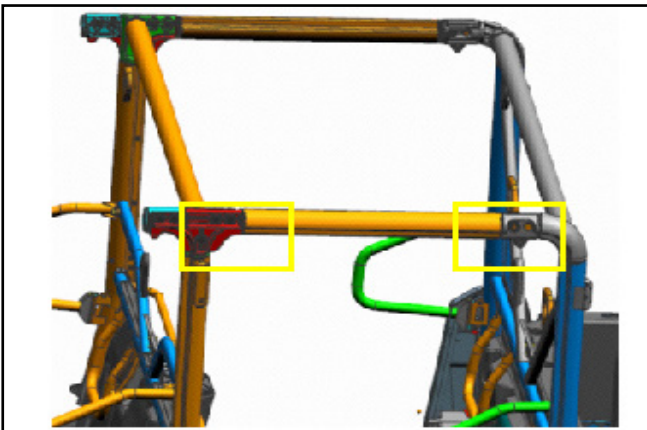
// Remove the top roof mounting plate bolts.

**i** - The single row and double row share the same method to disassemble.



// Remove the driver & passenger side beam assy.

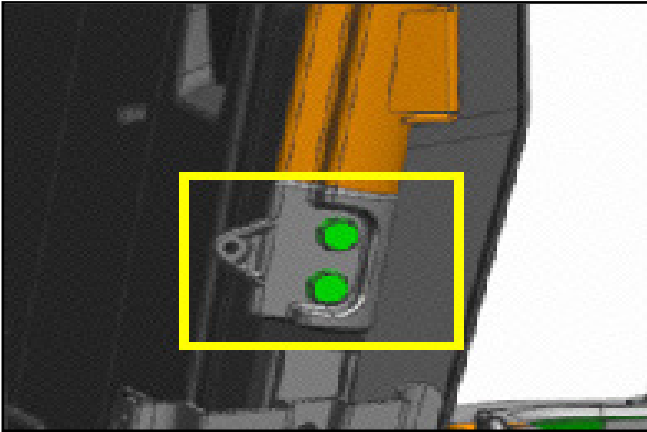
**i** - The single row and double row share the same method to disassemble. Four bolts and four nuts need to be removed.



// Remove the driver & passenger side beam assy.

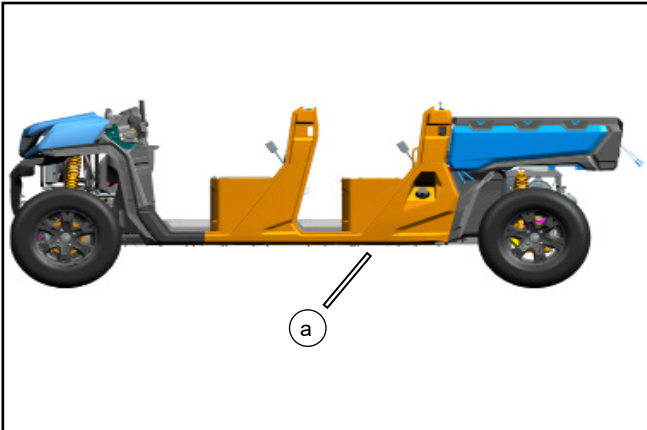
**i** - The single row and double row share the same method to disassemble. Ten bolts and ten nuts need to be removed.

## ASSEMBLY and INSTALLATION



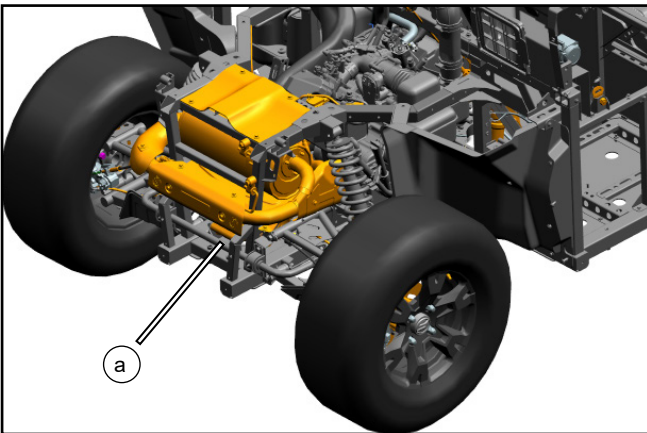
// Remove the middle cab assy.

**i** - Remove the middle cab assy and the connecting bolts and nuts of the frame.

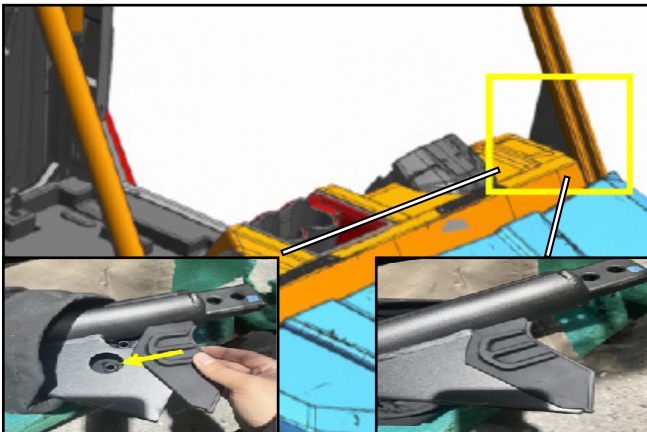


// Remove the driver & passenger side panel (a).

**i** - There is not required for Single row to remove the middle side panel.



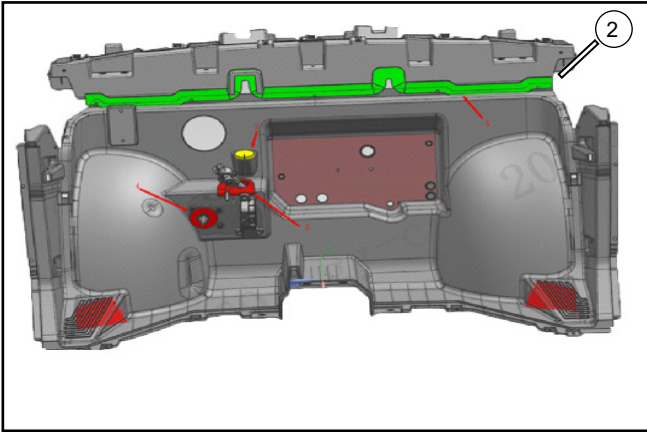
// Remove the muffler assy (a).



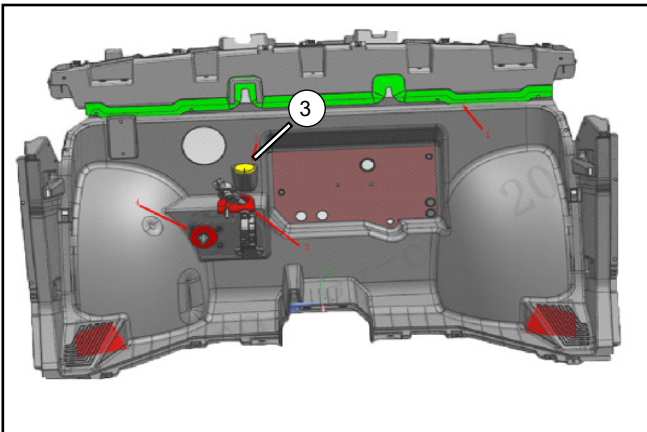
// Install the driver & passenger side rearview mirror bracket plug on the front driver & passenger side cab assy.

**i** - The installation of the driver & passenger side rearview mirror bracket plug as shown in the direction of the arrow.

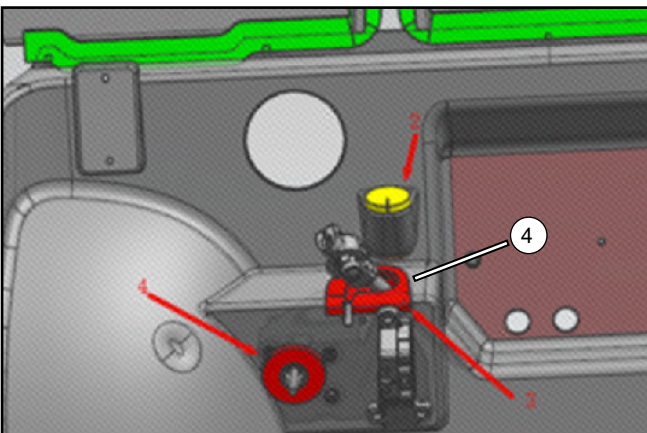
## ASSEMBLY and INSTALLATION



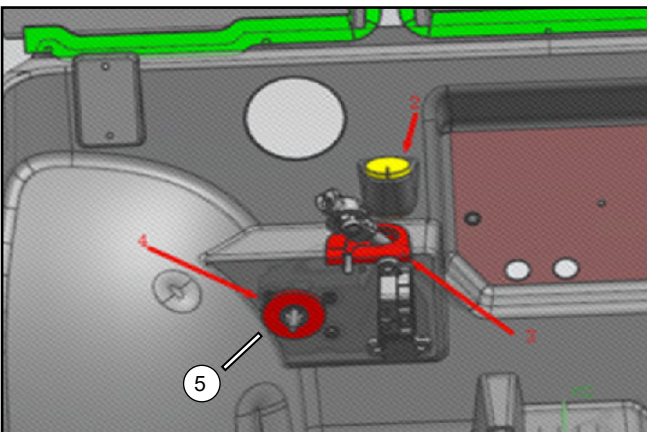
// After installing the front fender and the front inner lock panel on the frame, paste the front fender sponge (2) along the gap at the position as shown in the picture to ensure sealing.



// Before installing the plug, paste the cable plug (3) at the position as shown in the picture to ensure sealing.



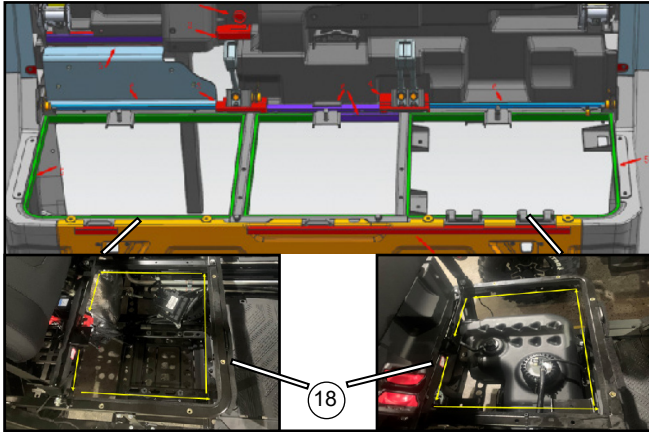
// Paste the turn plug (4) at the position as shown in the picture to ensure sealing.



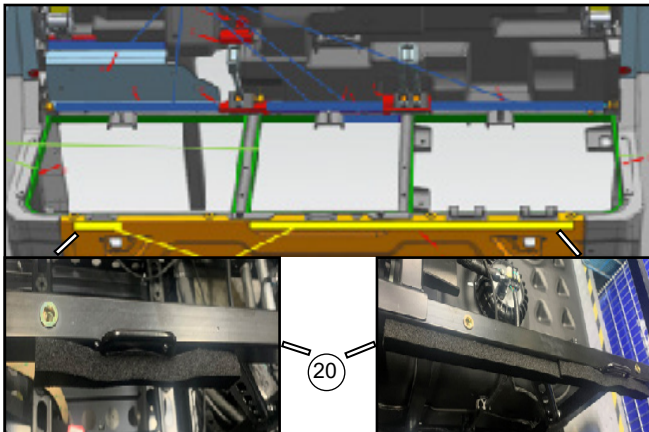
// Paste the brake plug (5) at the position as shown in the picture to ensure sealing.



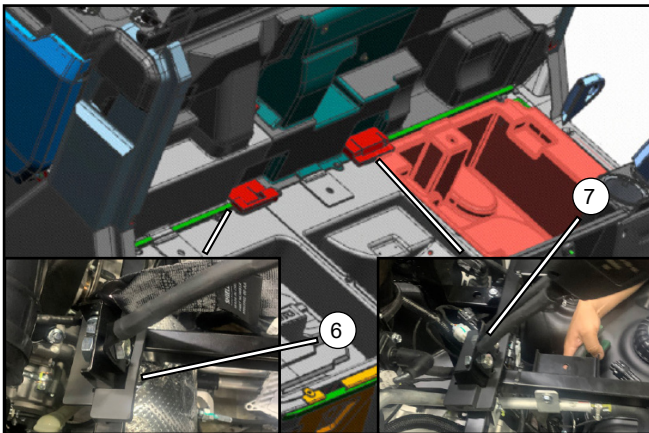
## ASSEMBLY and INSTALLATION



// Paste the driver seat RH lower baffle tape (18) as shown in the direction of the arrow. When pasting, cut and splice the tape according to the actual length. The splicing gap should be less than 3mm.

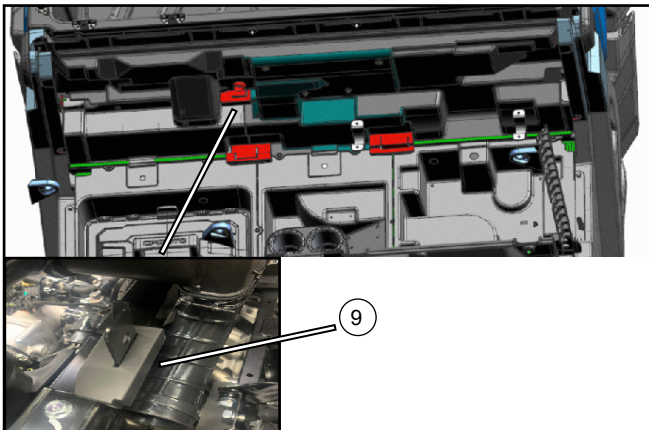


// Paste the cab side tape (20) as shown in the picture. When pasting, cut and splice the tape according to the actual length. The splicing gap should be less than 3mm.



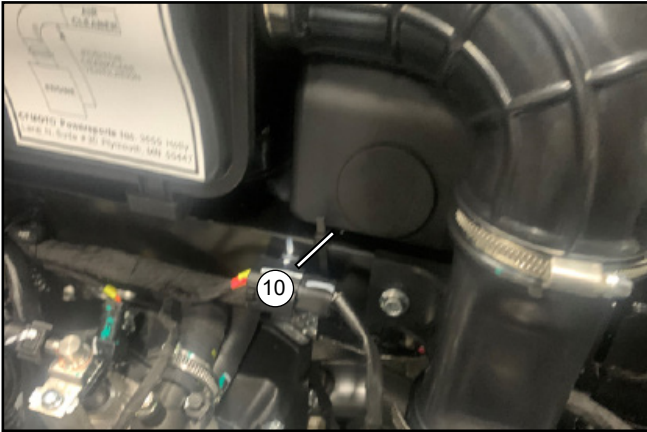
// Install the driver & passenger side safety belt plug (6) (7) at the position as shown in the picture.

**i** - Put the safety belt plug on the seat belt buckle first before the installation of the buckle. Install the plug in place after the seat panel is installed.

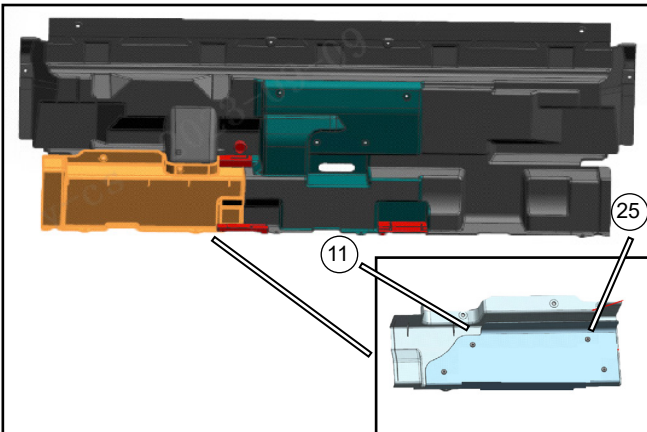


// Install the fender front service cover plug (9) on the seat belt bracket.

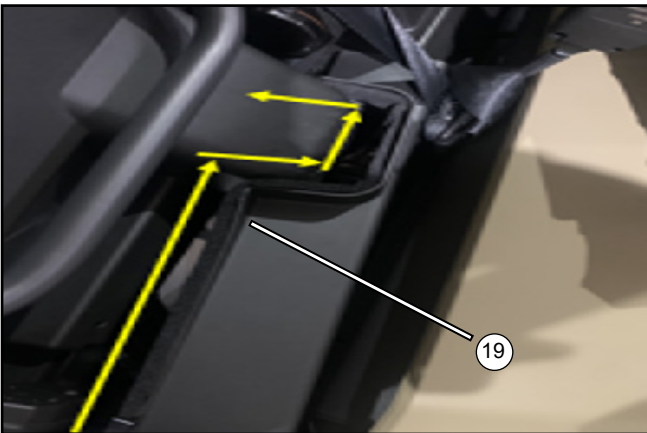
## ASSEMBLY and INSTALLATION



// Install the seat rear fender plug (10) on the seat rear fender.



// Install the fender front service cover insulator (11) on the fender front service cover with four self-tapping screws (25).



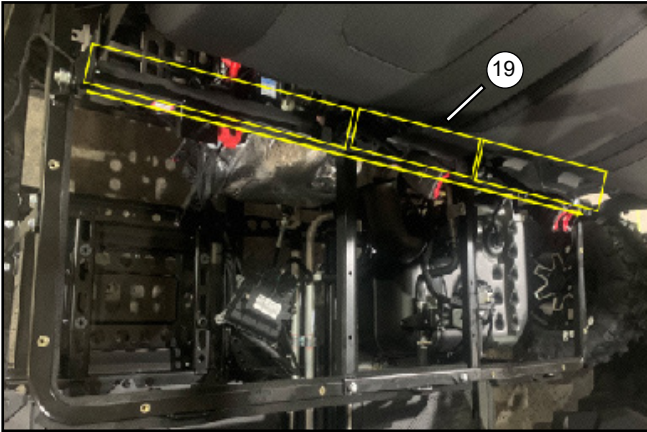
// Take one half of the main seat middle lower fender tape (19) and paste it along the upper edge of the fender front service cover as shown in the picture.



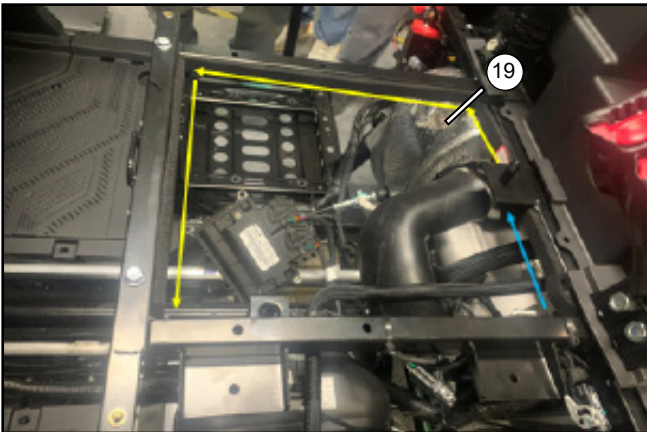
// Pierce the tape blocking the hole with an awl.



## ASSEMBLY and INSTALLATION

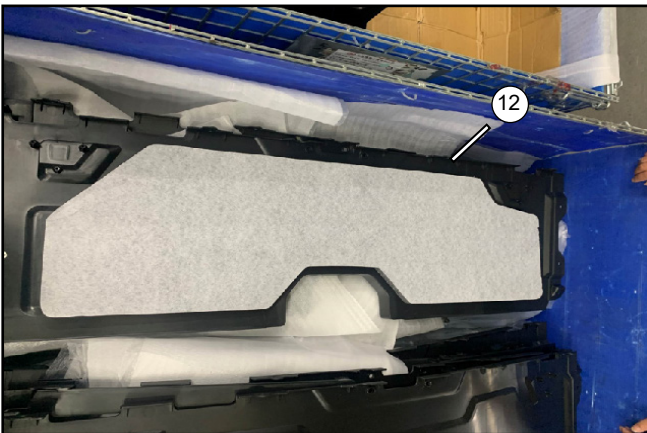


// Paste the main seat middle lower fender tape (19) on the seat bracket as shown in the picture. Avoid the seat belt bracket. Cut and paste the tape according to the actual situation.

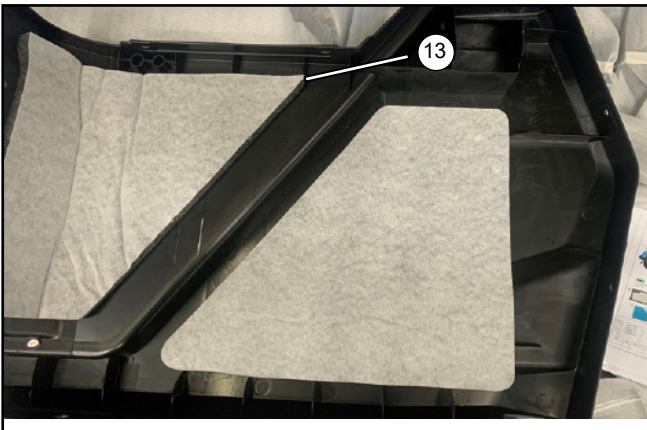


// Paste the main seat middle lower fender tape (19) to the inner side of the seat bracket tube as shown in the picture. Do not paste the side without the yellow arrow. Cut and paste the tape according to the actual situation.

**i** - Paste the tape on the side of the tube, and align with the tube upper plane.

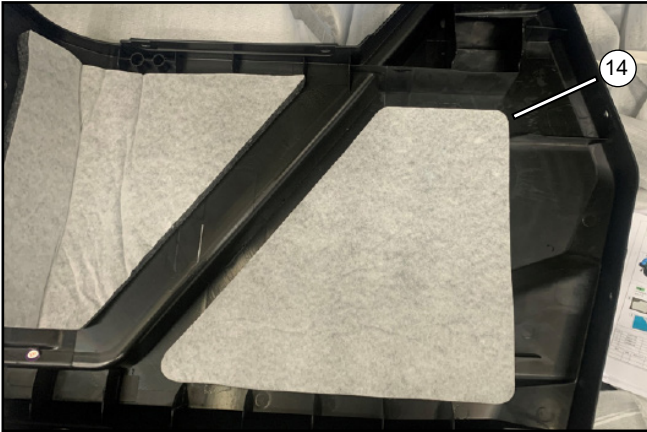


// Paste the seat front sound absorbing cushion (12) on the inner side of the seat front lower panel, and tear down the protective film. Sound absorbing cushion comes with gum on the back side. (Paste on the rear seat for double-row vehicle)

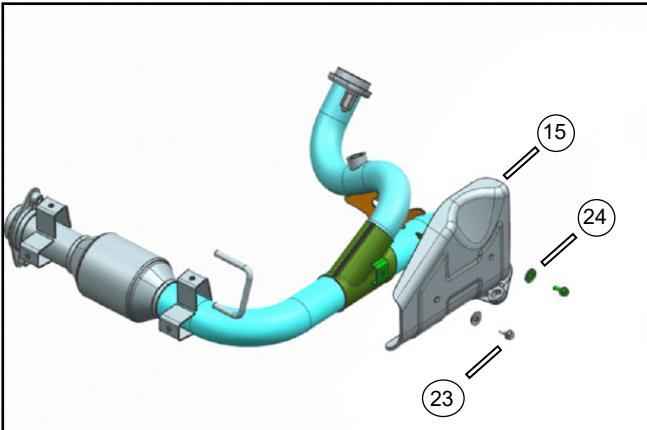


// Paste the seat side sound absorbing cushion 1 (13) on the inner side of the seat RH panel, and tear down the protective film. Sound absorbing cushion comes with gum on the back side.

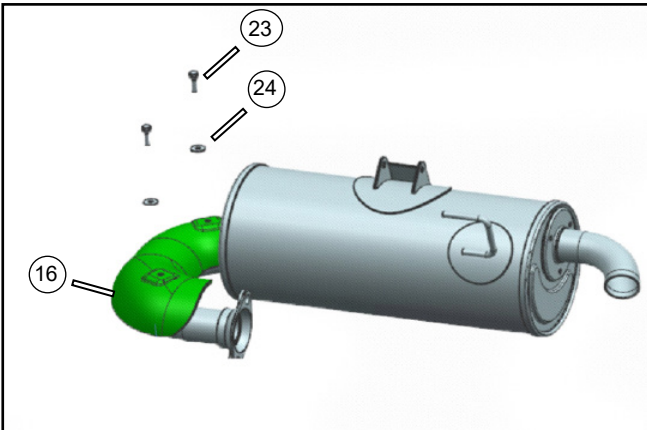
## ASSEMBLY and INSTALLATION



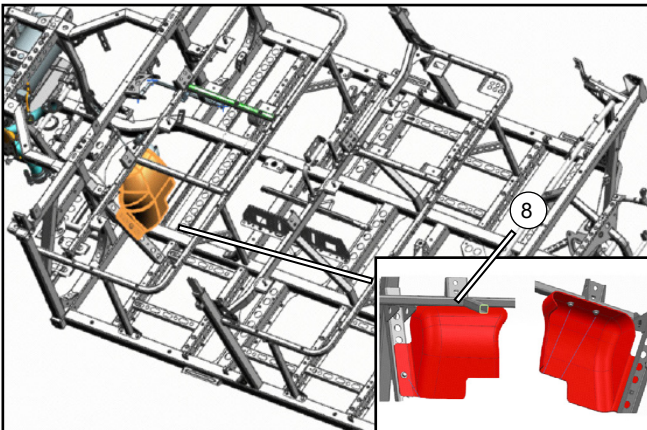
// Paste the seat side sound absorbing cushion 2 (14) on the inner side of the seat RH panel, and tear down the protective film. Sound absorbing cushion comes with gum on the back side.



// Secure the rear pipe heat insulator (15) on the rear pipe assy with bolts 6x16 (23) and washer (24).



// Secure the muffler pipe heat insulator (16) on the muffler exhaust pipe with bolts 6x16 (23) and washer (24).



// Secure the front heat insulator (8) on the frame with bolts 6x16 and washer.



## ASSEMBLY and INSTALLATION



// Install other removed parts in place and complete the assembly.

---

**i** - Follow the above steps to complete the assembly.