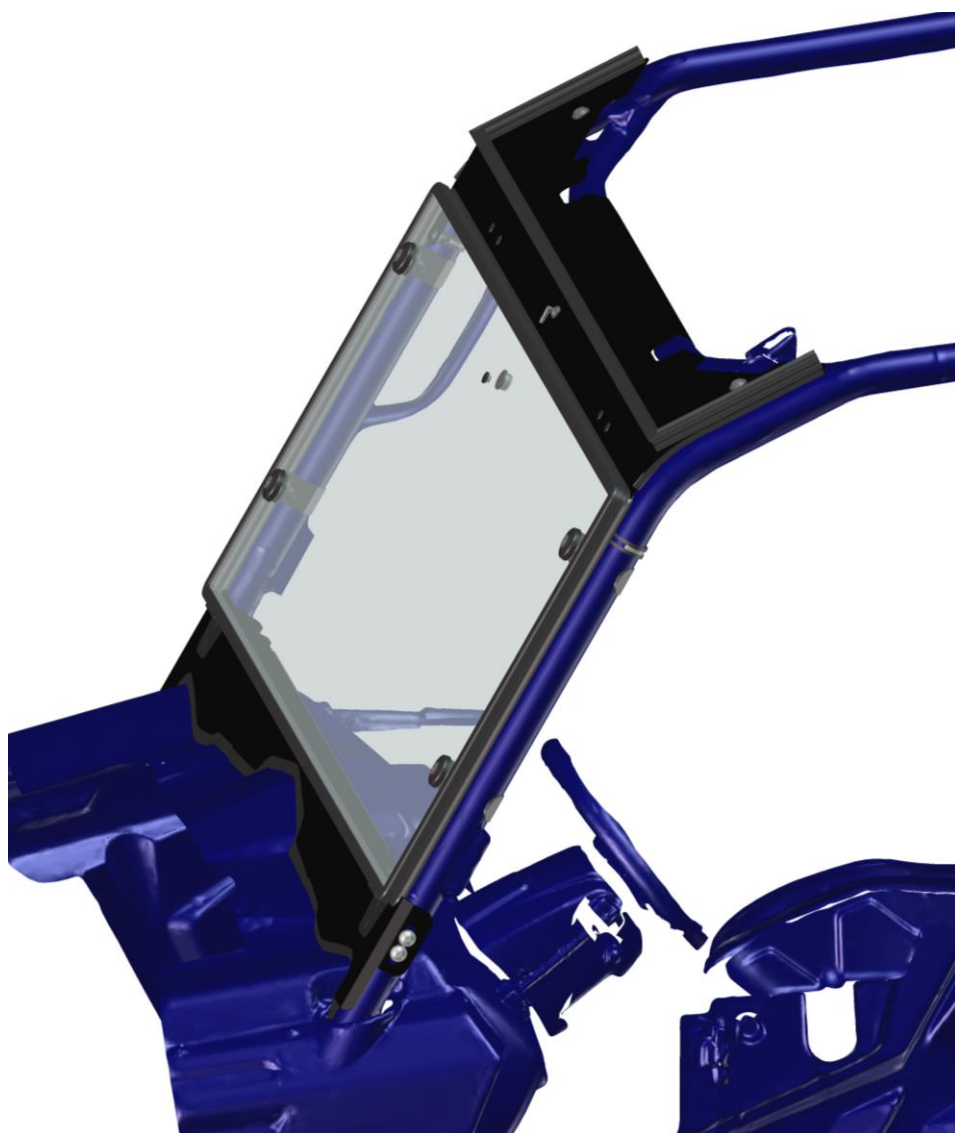


# DFK



*INSTALLATION INSTRUCTIONS*

## **CF MOTO** **UFORCE 800EX**



## **SAFETY INSTRUCTIONS**

***Warning: Failure to heed all safety and operating instructions and warnings regarding use of this product can result in serious bodily injury.***

### ***READ PROPERLY COMPLETE ASSEMBLY INSTRUCTIONS BEFORE STARTING OF ASSEMBLY***

***Install all parts indicated in assembly instructions. Failure to fully assemble product before use could result in personal injury.***

***Assembly of product requires use of hand or power tools.  
If you are not experienced in using these types of tools,  
have product dealer do the install for you.***

***Some parts contain sharp edges, wear protective gloves if necessary.***

***Always keep your assembly area clean, uncluttered and well lit.***

***Keep visitors and children a safe distance away from the assembly area. Visitors should wear the same safety equipment described under.***

***Never operate your UTV with the cab doors open. Failure to properly latch the doors before moving the vehicle could result in serious injury.***

***Dress for safety. DO NOT wear loose clothing, gloves, neckties or jewelry if using power tools to assemble this product.***

***Insert all nut covers after you finish installation.***

***Never drive your UTV with the cab front window in open position.  
Failure of improperly latched/locked front window before driving the vehicle could result in serious injury.***

***Please be careful to not break the plastic washers, if you are tightening screws with plastic washers use maximal power 3,7 foot-pound force (5 Nm)!!!***

**WARNING:** For safety purposes, if the DFK Cab doors are removed, it is mandatory that the OEM manufactured Half Doors or Nets are **REINSTALLED** before operating the vehicle.

### **MAINTANCE AND CLEANING**

*To clean polycarbonate surface use soapy water solution or other subtle means.*

*Dirt and dust wash by gently water stream and swipe only with wet or damp means in the direction from top to bottom.*

*The recommended frequency of cleaning of polycarbonate part is about 1 time per month or according to the actual degree of pollution.*

*Do not use detergents that could scratch the surface plates.  
(abrasives, harsh fabrics, etc.)*

*Do not use solvents or alkaline detergents or cleaners with ammonia  
(ammonium hydroxide).*

*Do not remove the impurities from the surface of the razor blades or other sharp items.*

*Do not clean cabine, when the polycarbonate plates are heated by the sun.*

*Do not use the squeegee, it could be scratched surface plates.*

*Do not clean the water current strength greater than 50 bar (WAP)*

*The manufacturer is not responsible for scratching the surface in case of failure to comply with the above instructions.*

*All bolted connections of cab must be by user at regular intervals checked and tightened.*

*Please by carefull to not broken the plastic washers, if you tightening screws with plastic washers use maximal power 3,7 foot-pound force (5 Nm)!!!*

**PREPARATION FOR INSTALLATION:**

Uninstall all additional systems from the roller cages (work lights, rear mirrors, drink holders etc.)

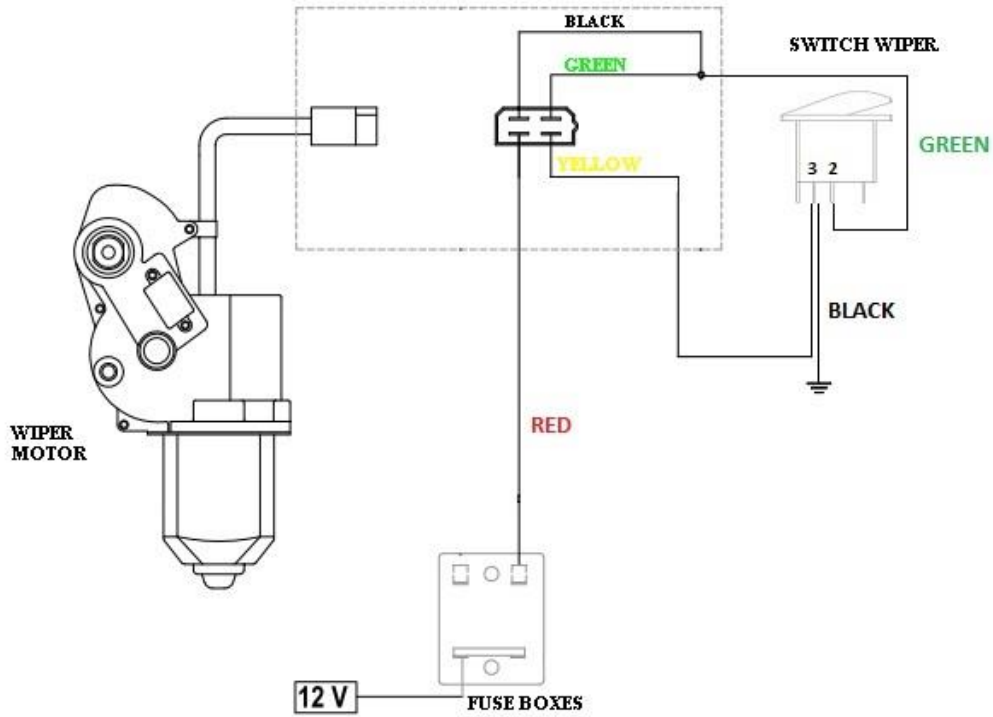
**CAB PREVIEW**

4

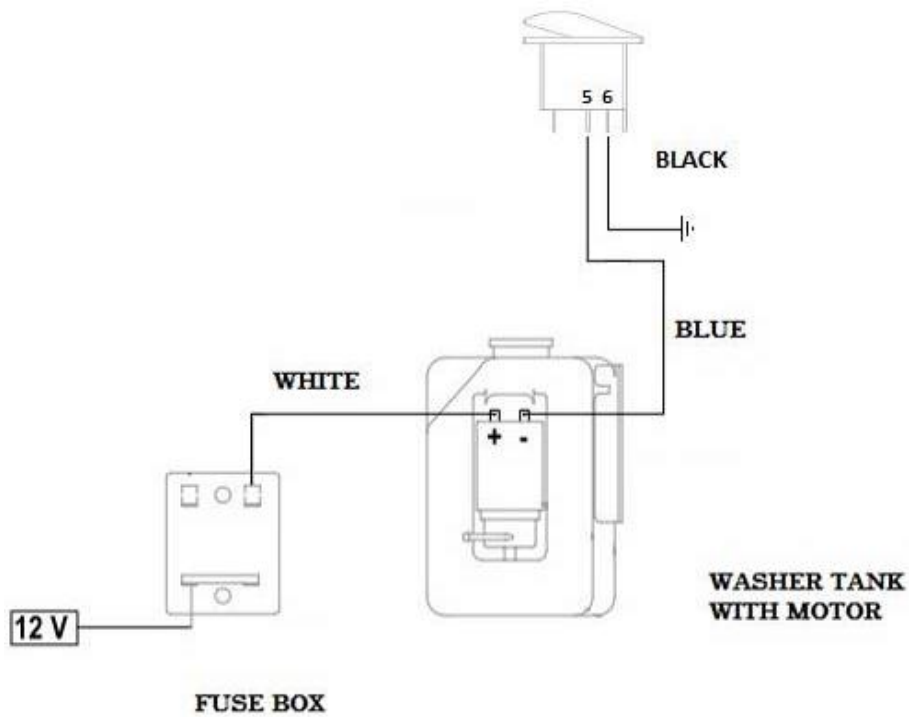
**ELECTROINSTALLATION 1.**

Overall wiring diagrams

Wiper harness

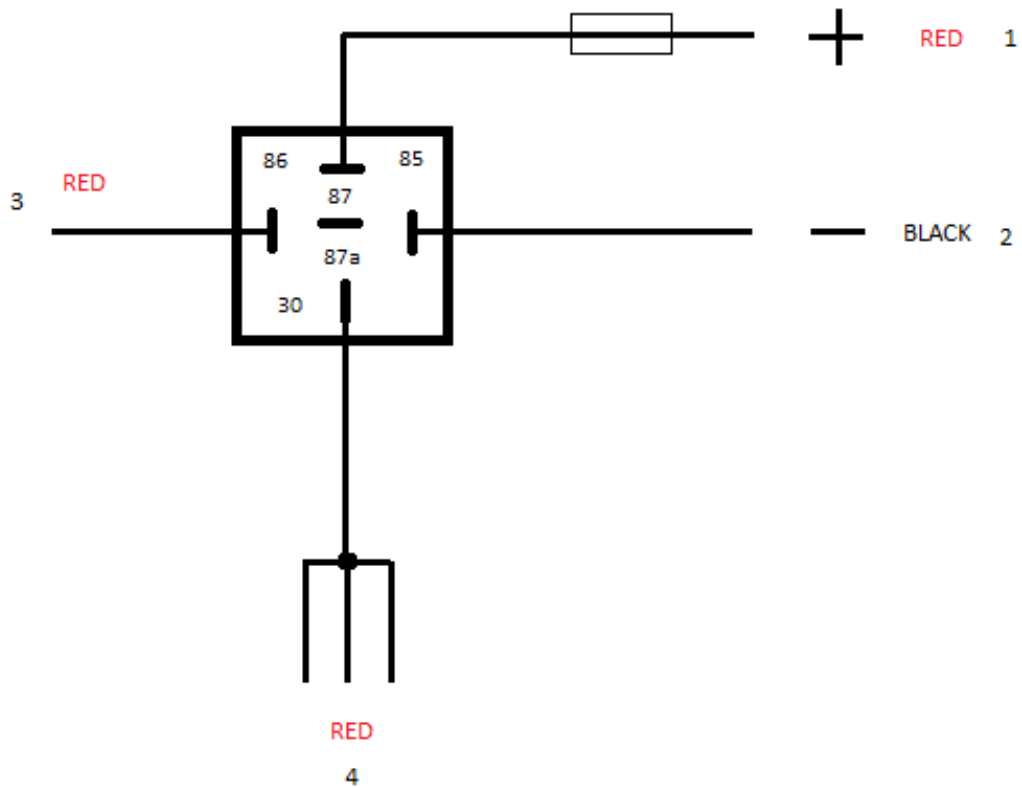


Washer harness









Heater harness

Relay harness



**WIPER/WASHER 1.**  
Need to installation (included)




Uninstall the floor tunnel cover.

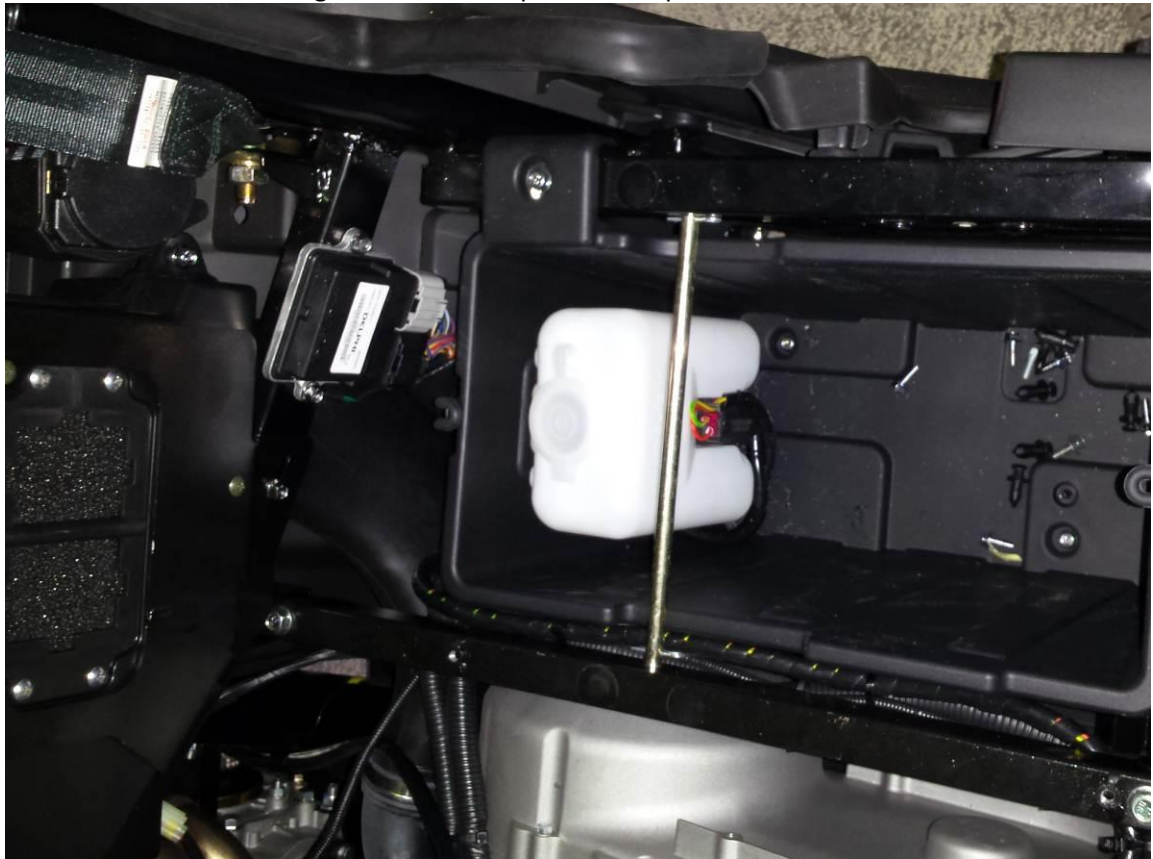


Drill hole  $\varnothing 8\text{mm}$  (0,33-0,38in) into the plastic wall and install the washer tank holder “ $\Omega$ ” (green circle) by included screw, washers and nut. Drill hole  $\varnothing 16\text{mm}$  (0,66-0,7in) into the case plastic wall (red circle).





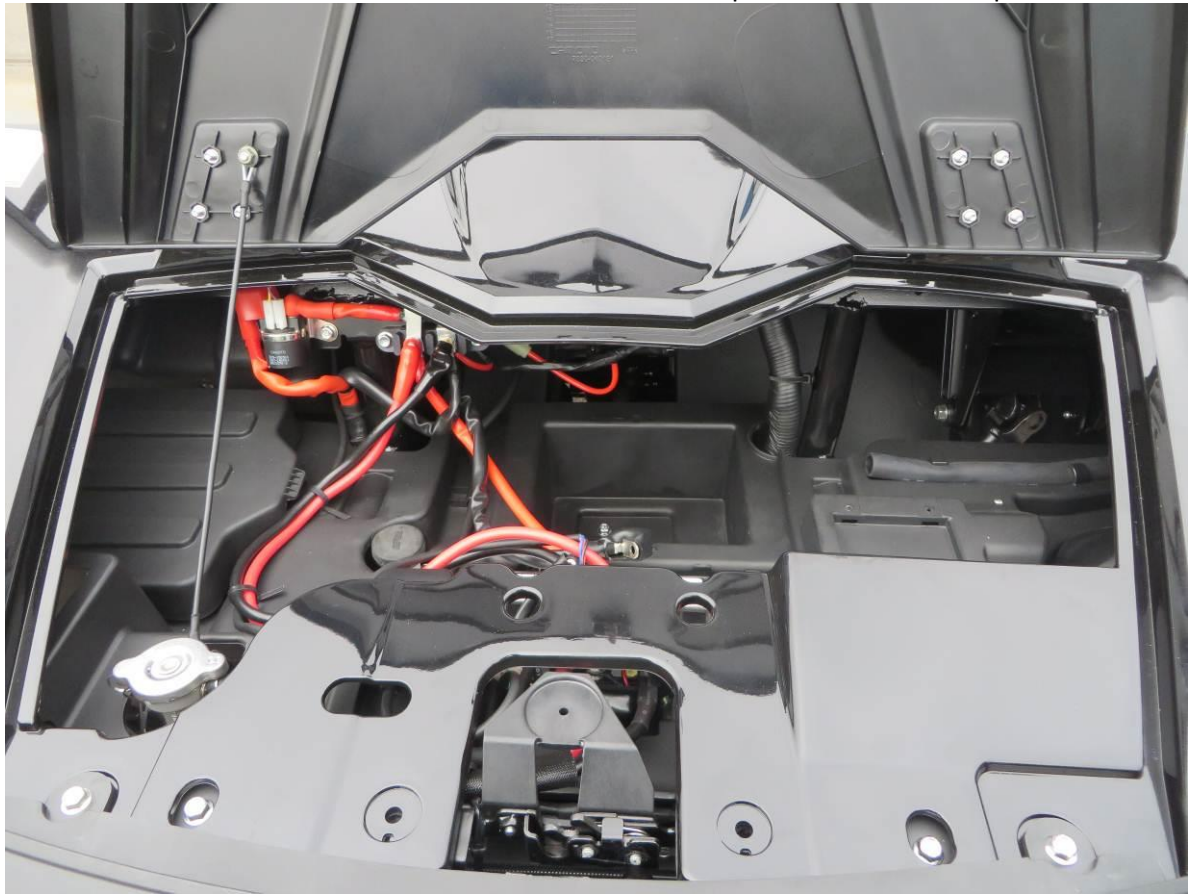
Lead the washer harness through the hole from previous step and install the washer tank onto the holder.



Run the washer harness to the front dashboard inner space near the original harness.



Uninstall the front dashboard cover. Insert the wiper harness into this space.



10



Install the wiper/washer switch into the dashboard, if you don't have original hole, cut the rectangle 44,1x22,1mm into the dashboard into the best position.



11

Run the wiper harness from the front battery space through the switch hole.  
Connect the wiper and the washer harnesses with the switch and press the switch into the dashboard.



Run the washer hose and wiper harness under the dashboard to the right side.  
Run the wiper harness and washer hose through the space between the dashboard and UTV rollercage

12



**Before first usage fill the washer tank with the washer liquid.**



Connect the relay harness to the original electroinstallation (detailed view).



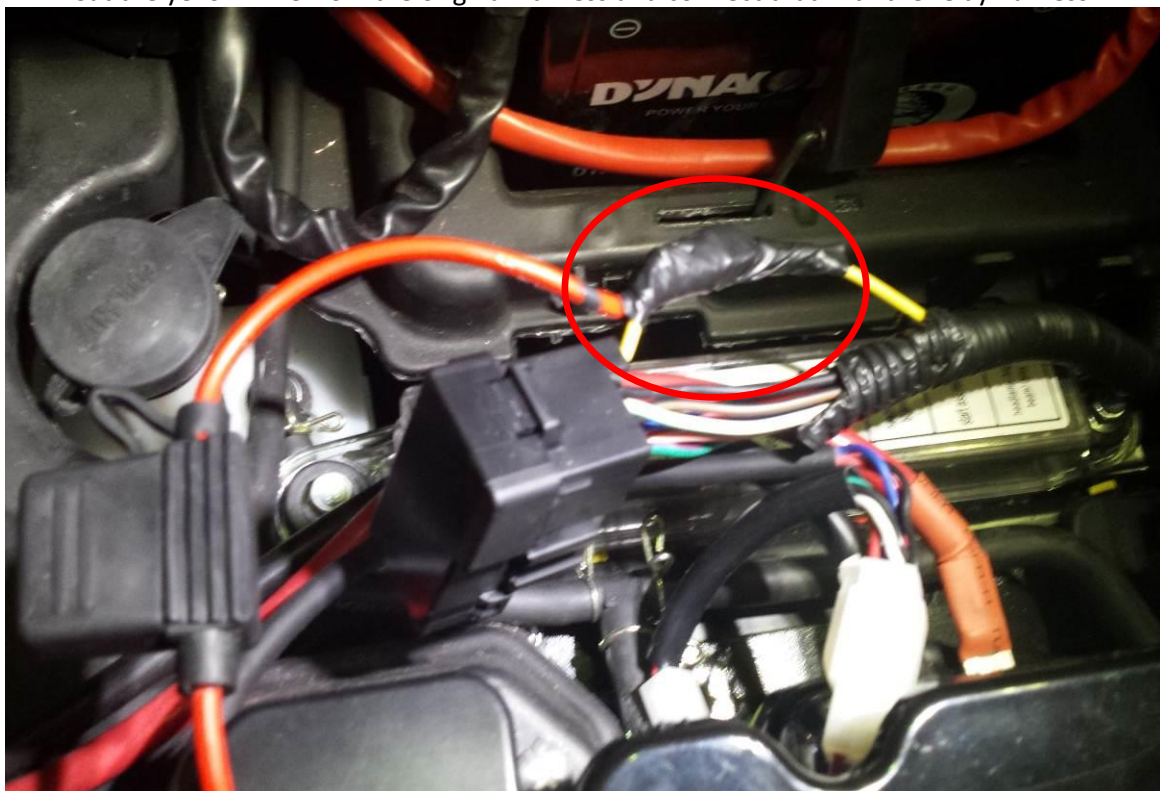
13



Pull up the this original electroinstallation block.



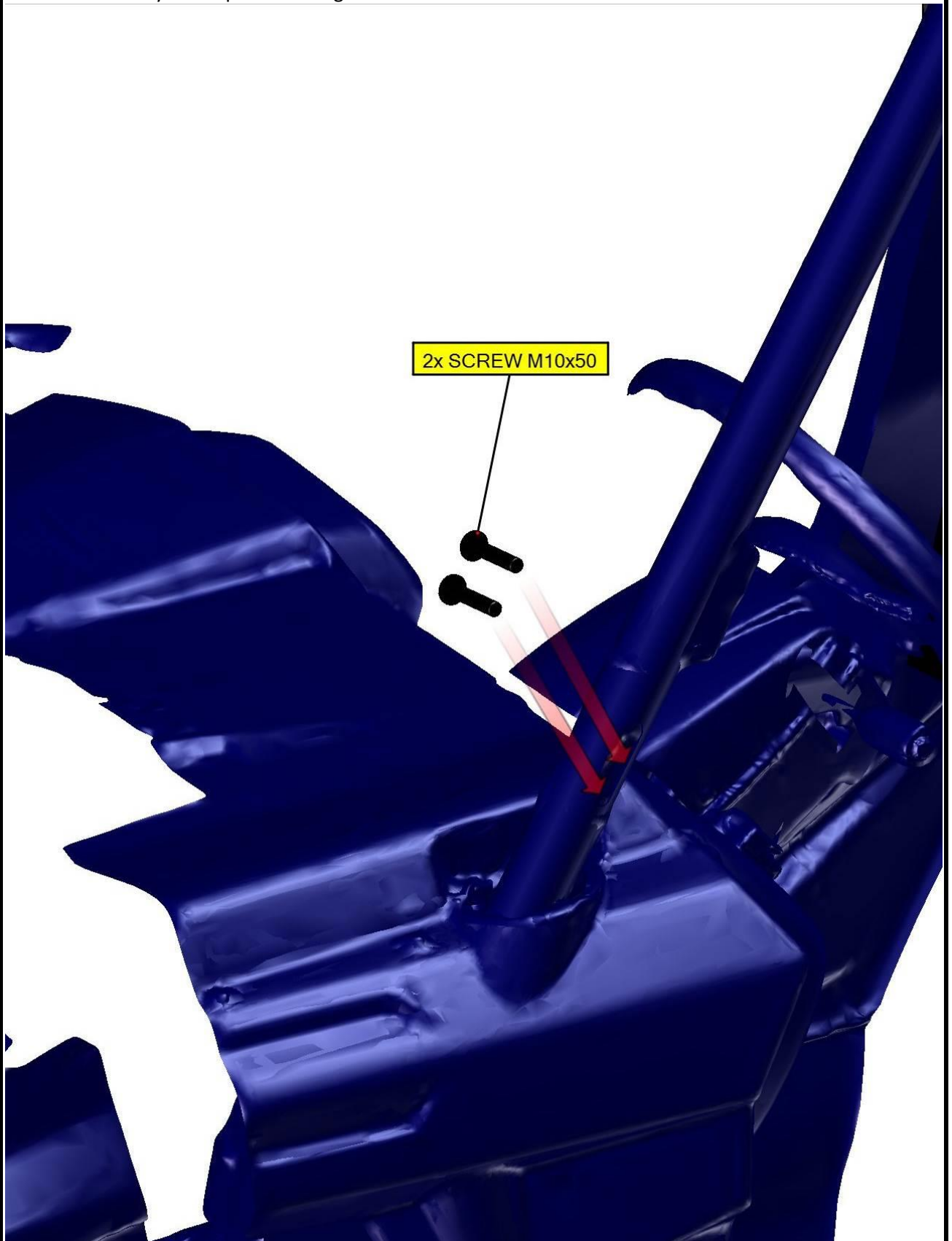
Cut the yellow wire from the original harness and connect that with the relay harness.



Connect the heater, washer and wiper harness with the relay harness.  
Connect the black wires from the harnesses to the original electroinstallation “-”.

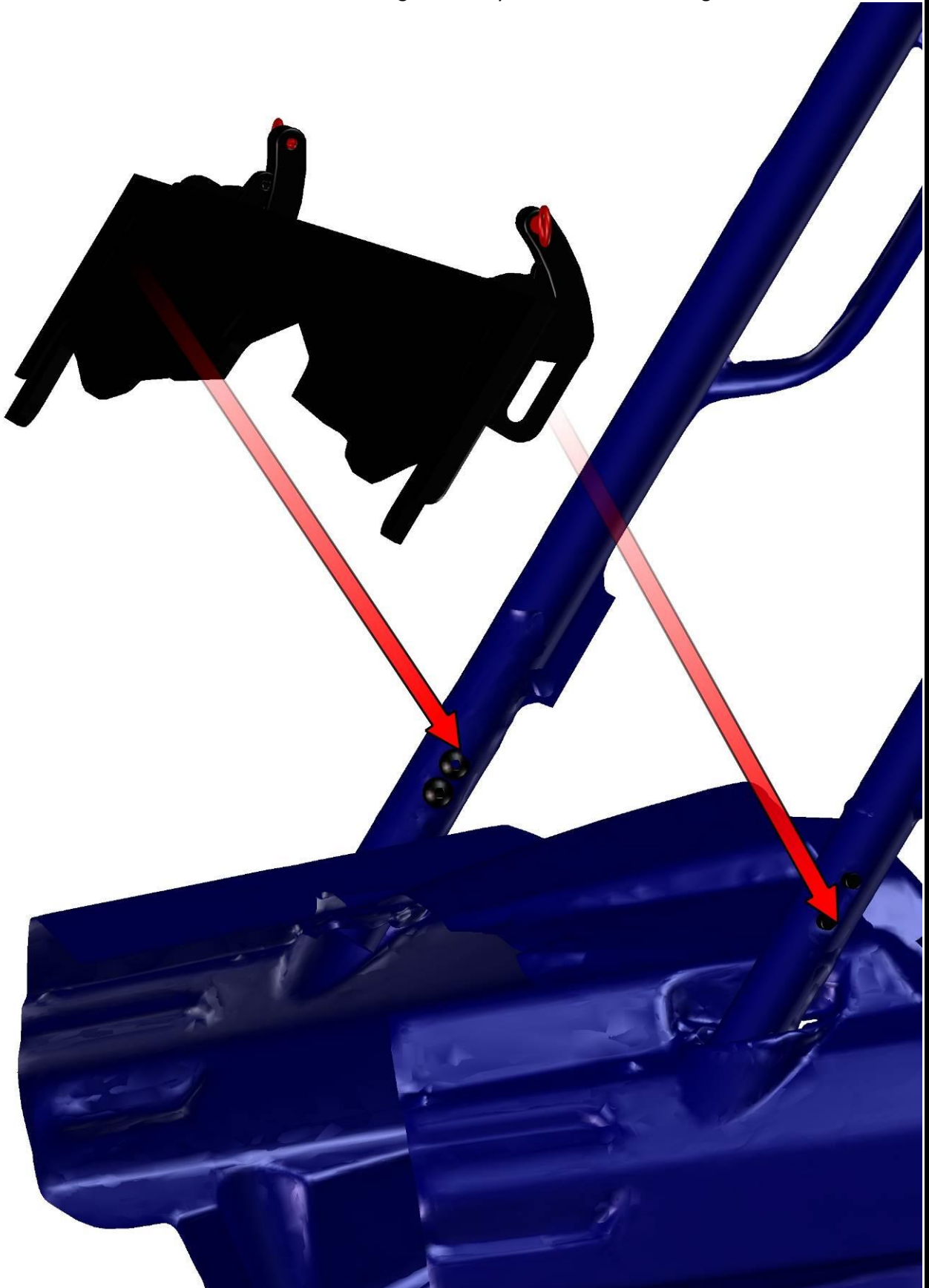
**FRONT PANEL 1.**

One by one replace the original screws with included M10x50 screws from inner side.



15

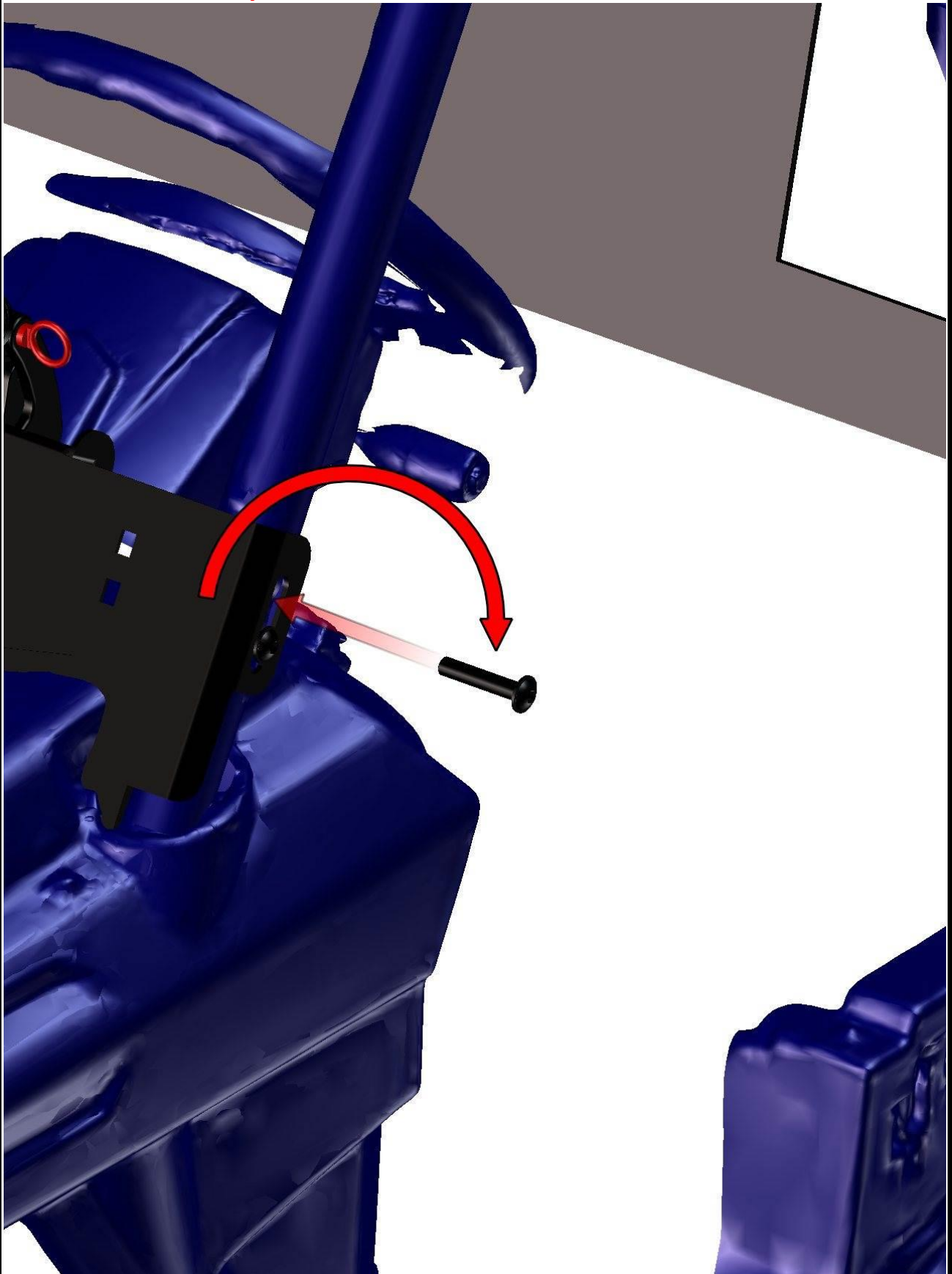
Place the front bottom ledge assembly onto the UTV rollercage.



16



**One by one** replace the screws from the outer side and tighten.



17

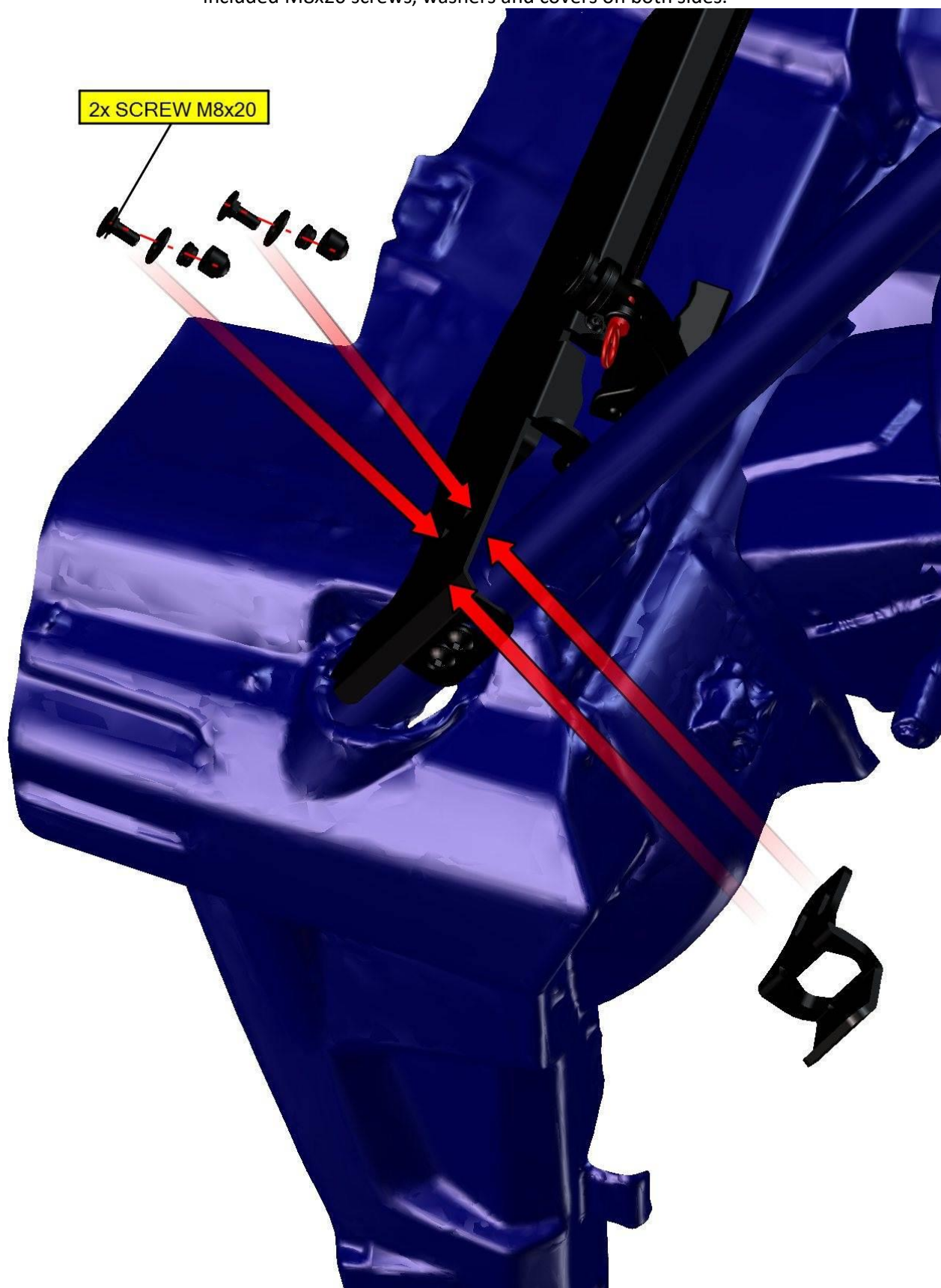
DETAILED VIEW



18



Place the front bottom ledge holders into the position and fix the holders with the front bottom ledge by included M8x20 screws, washers and covers on both sides.



**ELECTROINSTALLATION 2.**  
**WIPER SET**

View onto the wiper motor with the cover and with the middle ledge.



Place the washer onto the wiper longer pin.



Place the washer onto shorter wiper pin.



View onto installed washers.





Place the wiper assembly onto the front glass from inner side.  
 Insert these washers onto the wiper's pins and onto the glass from outer side.



Fix the wiper motor with the front glass by included nuts and tighten these correctly.



Loose the holder screws and adjust the upper ledge holder to the neutral position.



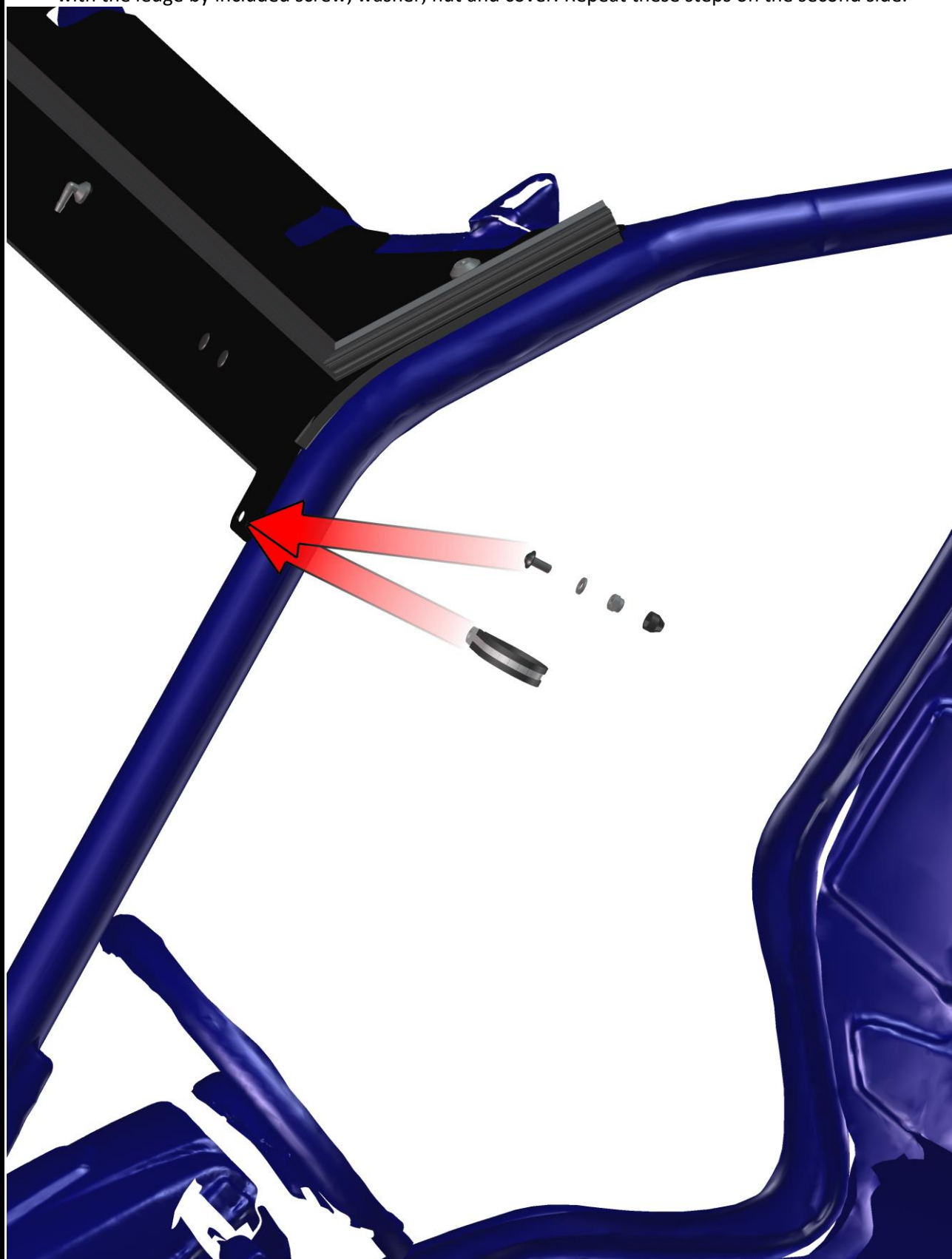


Place the upper ledge onto the UTV frame. Turn the upper holder to the correct position.



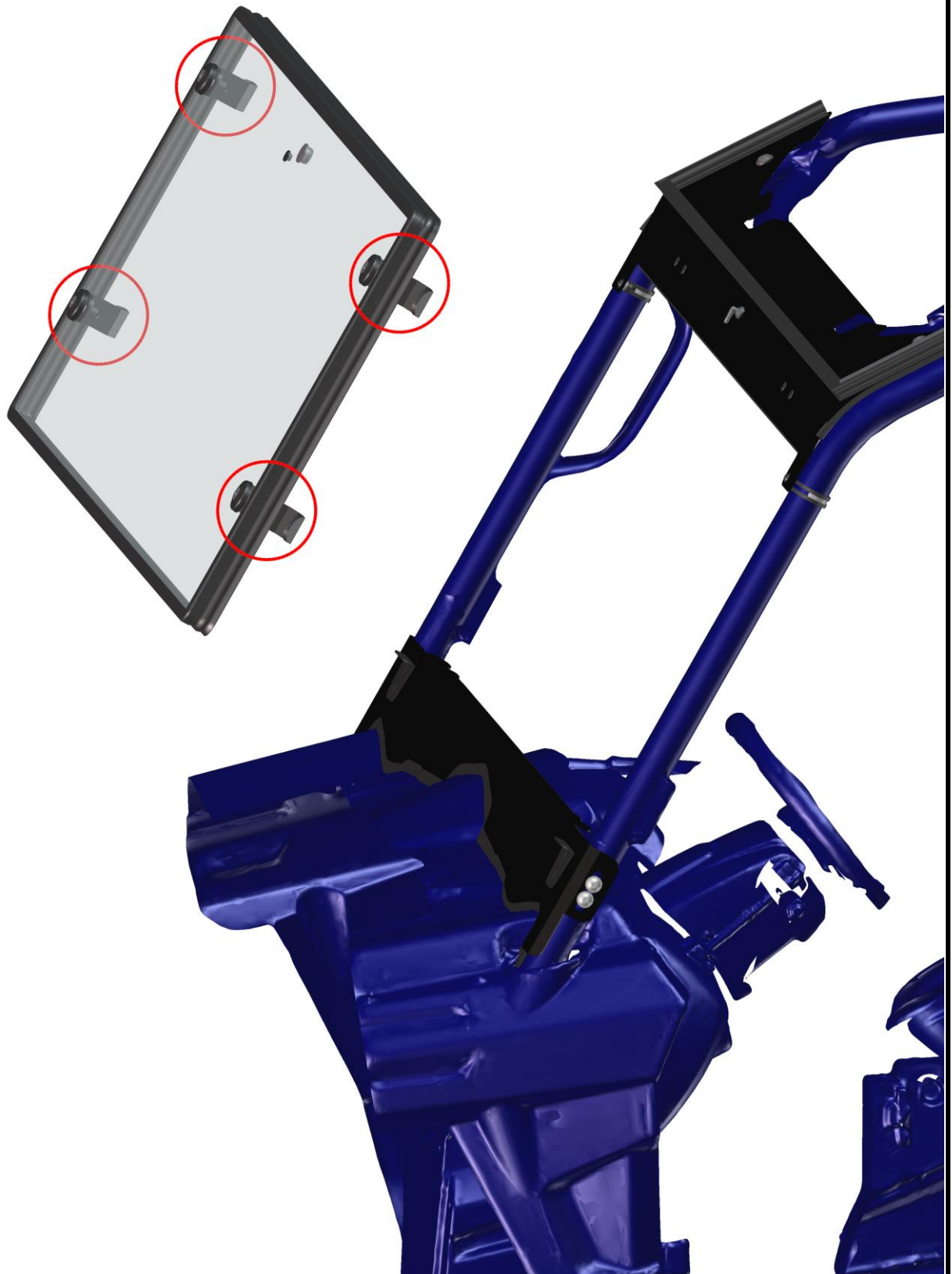
24

Insert the tightening strap onto the UTV frame and onto the upper ledge. Fix the strap with the frame and with the ledge by included screw, washer, nut and cover. Repeat these steps on the second side.



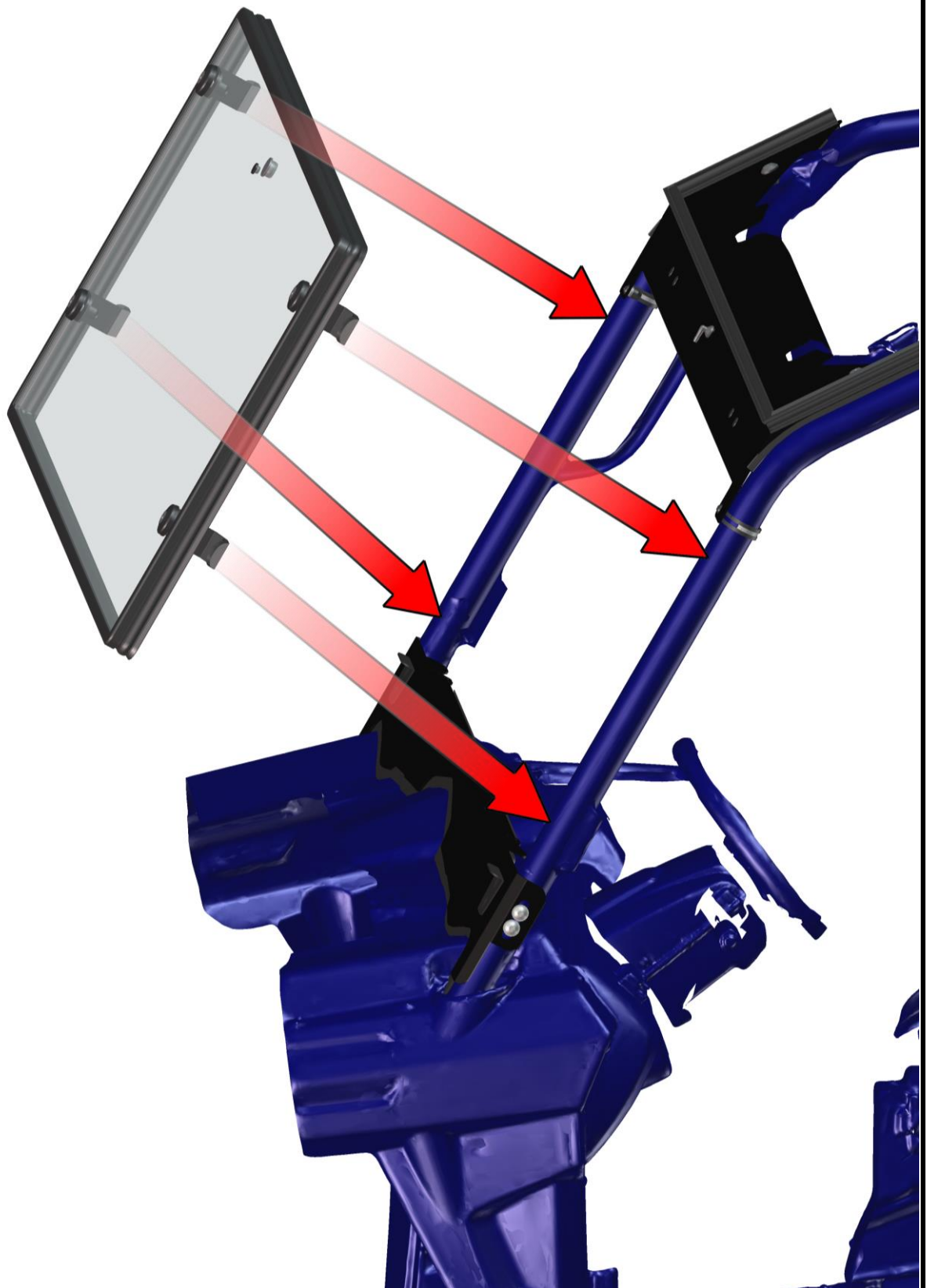
25

Loose the holder screws and adjust the window holders to the neutral position.



26

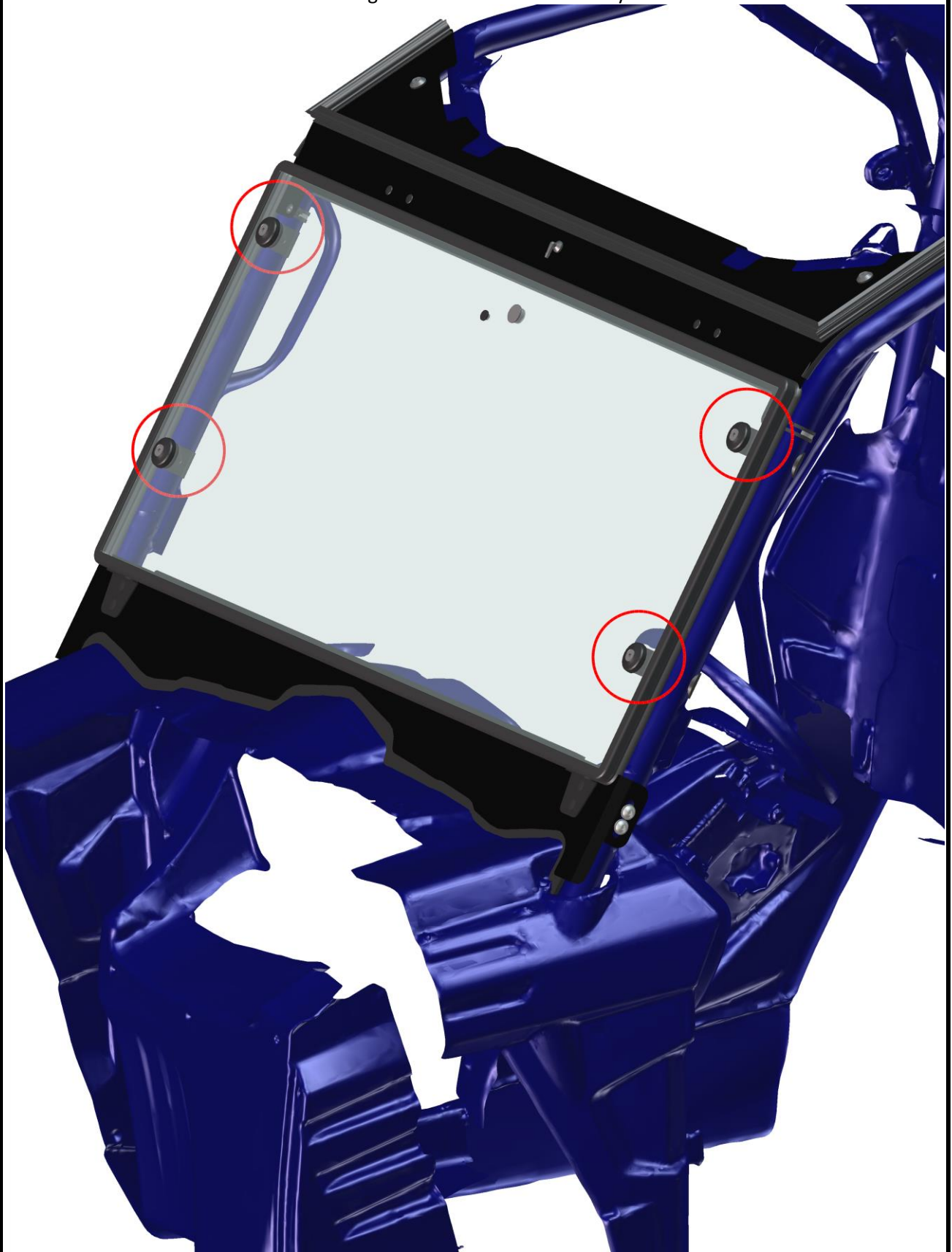
Place the window onto the ledges and onto the UTV frame.



27



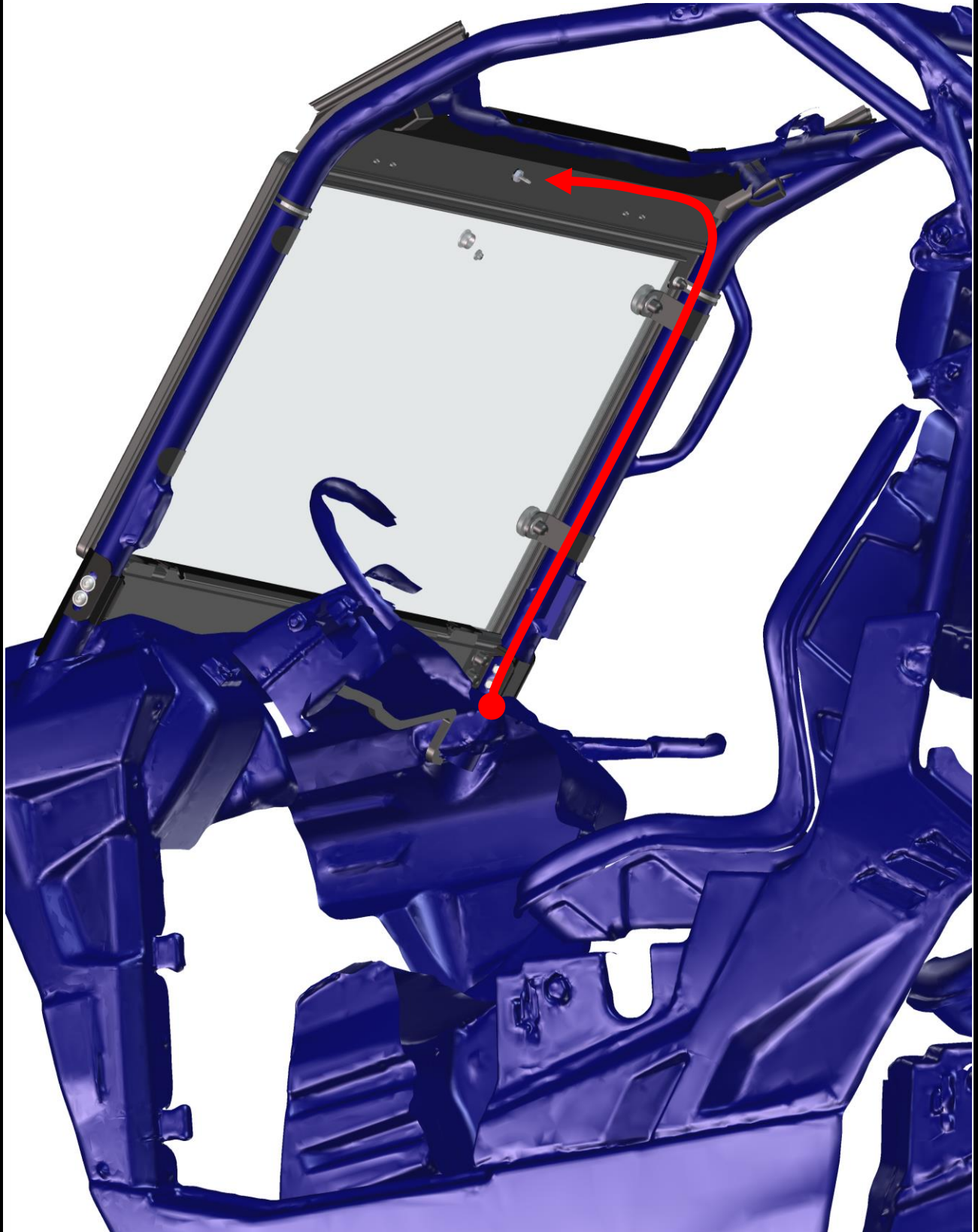
Adjust the window and the ledges onto the best position. Turn the window holder to the correct position and tighten holder screws correctly.



28

**ELECTROINSTALLATION 3.**  
**WIPER/WASHER 2.**

Run the harness branch with washer hose to the front wiper motor and connect the branch with the wiper motor.

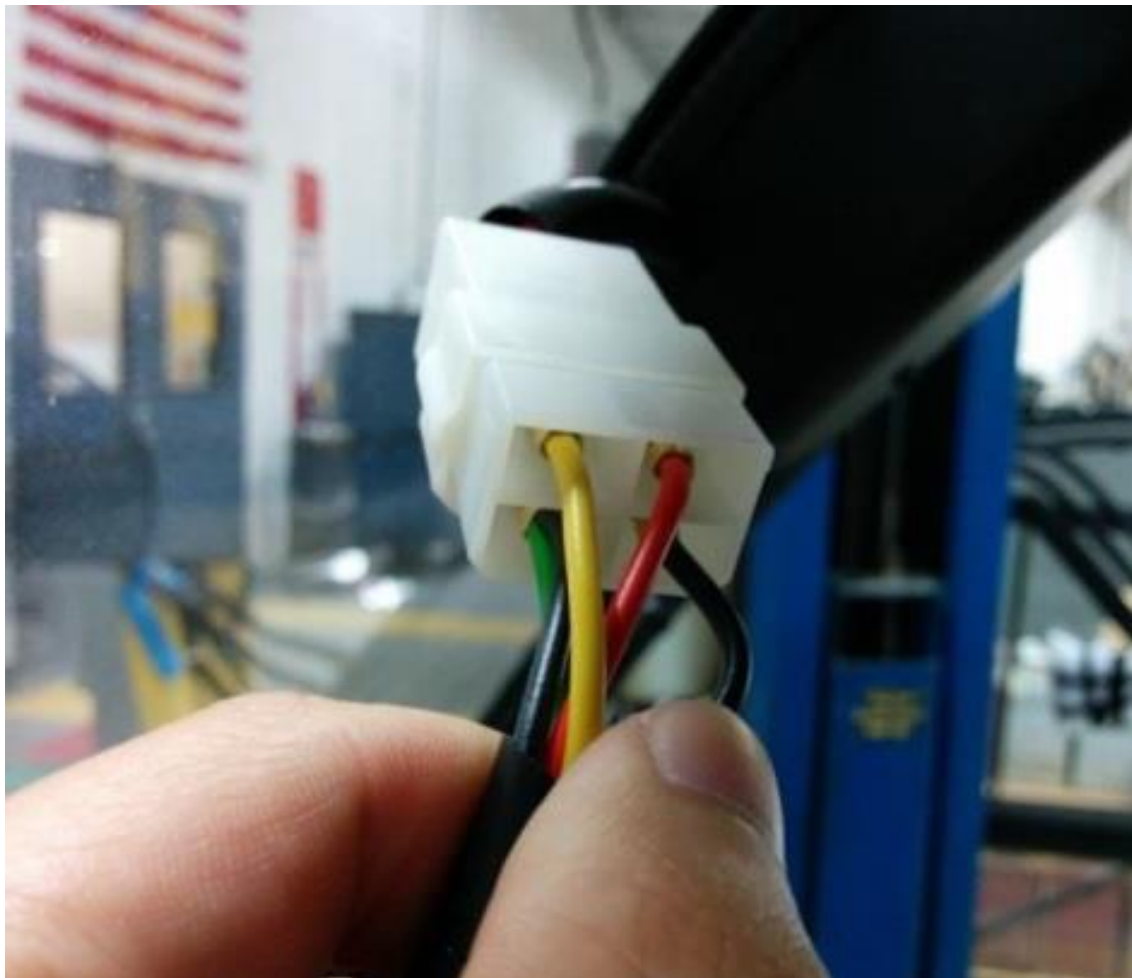


29

DETAILED VIEW



DETAIL VIEW CONNECTION



30



Please note that is necessary to add 5 inches extra before you cut the washer hose.  
Connect the tube with hoses on both sides (detail of the bushing tube connection).



31